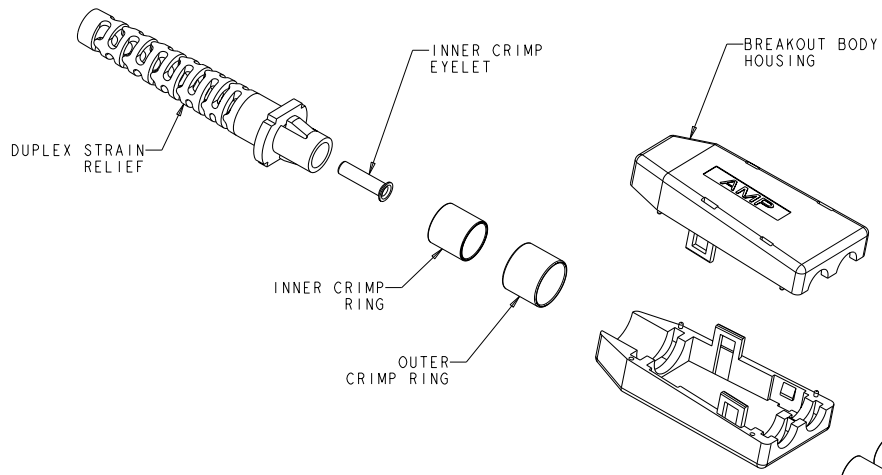
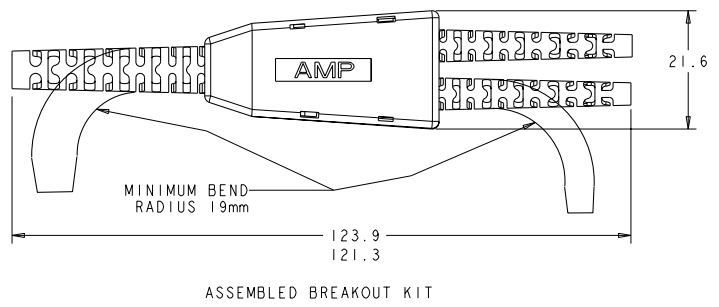
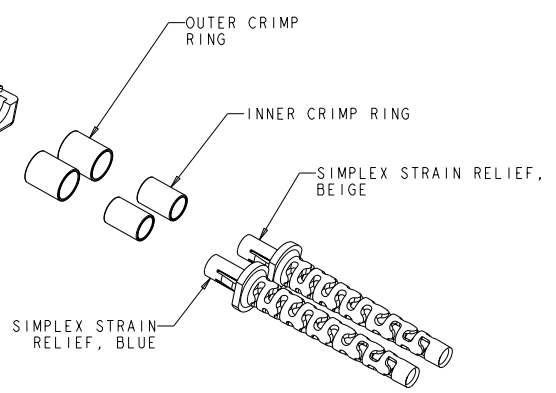
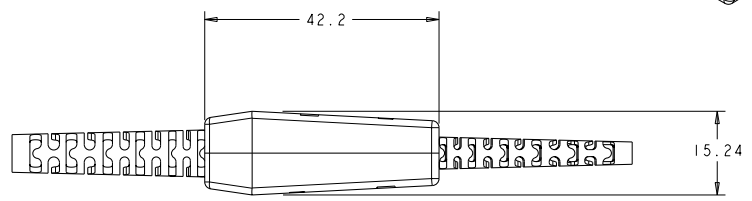


LOC		DIST		REVISIONS			
CE	00	P	LYR	DESCRIPTION	DATE	BY	APPR
		A		RELEASE PER ECO-08-001104	18JAN2006	BB	SM



△ MATERIAL:
 HOUSINGS: PBT MOLDING COMPOUND
 INNER CRIMP RING: BRASS
 OUTER CRIMP RING: COPPER
 STRAIN RELIEFS: POLYPROPYLENE
 2. INSTRUCTION SHEET 408-9469.
 3. BREAKOUT TUBING NOT SHOWN.



BEIGE	5502020-1
COLOR	PART NUMBER

B. BRIGGS 31MAY2006 Tyco Electronics
 S. MILLER 31MAY2006 Harrisburg, PA 17105-3608
 S. BUCHTER 31MAY2006
BREAKOUT KIT ASSEMBLY, AMP FSD AND RSD
 SHEET CASE CODE DRAWING NO. RESTRICTED TO
 A200779 ©-5502020 1 OF 1 REV A

DIMENSIONS:		OPERATION SPEC:	
mm		0 PLC	0'
		1 PLC	00.2
		2 PLC	00.13
		3 PLC	0'
		4 PLC	0'
		ANGLES	0'
		FINISH	0'