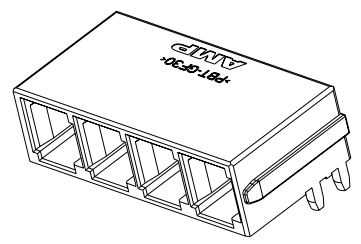
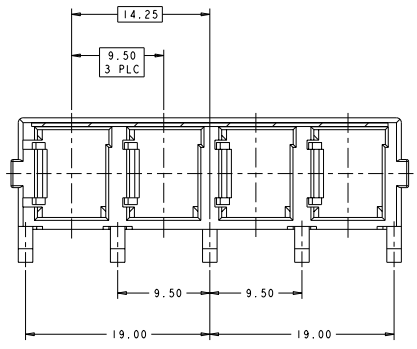
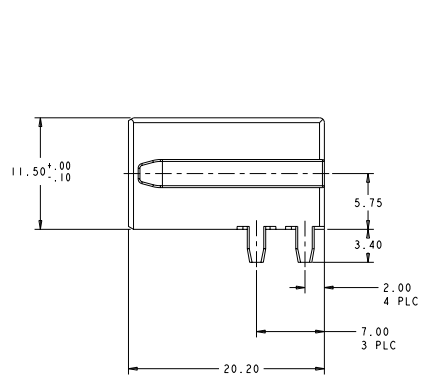
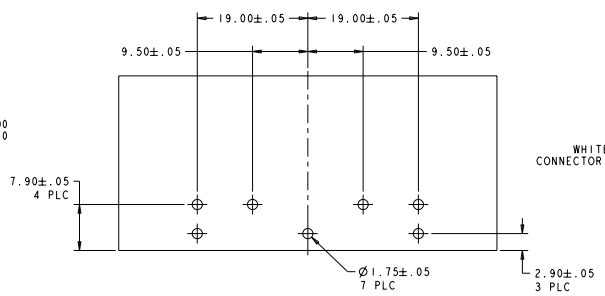
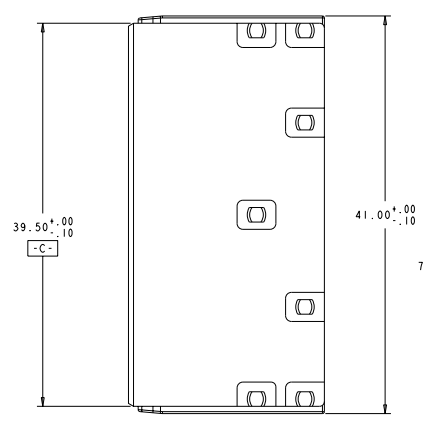


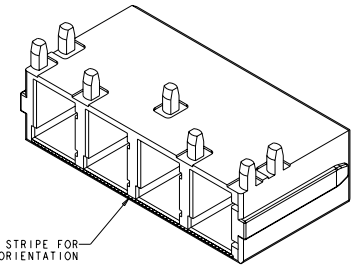
REV	DATE	DESCRIPTION	BY	CHK	APP
D	REV PER ECR - 08-01-0854				



SCALE 4:1



RECOMMENDED HOLE PATTERN
SCALE 3:1



WHITE STRIPE FOR
CONNECTOR ORIENTATION

SCALE 4:1

△ MATERIAL: GLASS FILLED PBT.
COLOR: BLACK

1278391-1
PART NUMBER

DATE: 08/11/09 BY: PFC/ELC/COM/CON ALL RIGHTS RESERVED	REV: 001 DATE: 08/11/09 BY: PFC/ELC/COM/CON ALL RIGHTS RESERVED	REV: 002 DATE: 08/11/09 BY: PFC/ELC/COM/CON ALL RIGHTS RESERVED	REV: 003 DATE: 08/11/09 BY: PFC/ELC/COM/CON ALL RIGHTS RESERVED	REV: 004 DATE: 08/11/09 BY: PFC/ELC/COM/CON ALL RIGHTS RESERVED	REV: 005 DATE: 08/11/09 BY: PFC/ELC/COM/CON ALL RIGHTS RESERVED	REV: 006 DATE: 08/11/09 BY: PFC/ELC/COM/CON ALL RIGHTS RESERVED	REV: 007 DATE: 08/11/09 BY: PFC/ELC/COM/CON ALL RIGHTS RESERVED	REV: 008 DATE: 08/11/09 BY: PFC/ELC/COM/CON ALL RIGHTS RESERVED	REV: 009 DATE: 08/11/09 BY: PFC/ELC/COM/CON ALL RIGHTS RESERVED	REV: 010 DATE: 08/11/09 BY: PFC/ELC/COM/CON ALL RIGHTS RESERVED	REV: 011 DATE: 08/11/09 BY: PFC/ELC/COM/CON ALL RIGHTS RESERVED	REV: 012 DATE: 08/11/09 BY: PFC/ELC/COM/CON ALL RIGHTS RESERVED	REV: 013 DATE: 08/11/09 BY: PFC/ELC/COM/CON ALL RIGHTS RESERVED	REV: 014 DATE: 08/11/09 BY: PFC/ELC/COM/CON ALL RIGHTS RESERVED	REV: 015 DATE: 08/11/09 BY: PFC/ELC/COM/CON ALL RIGHTS RESERVED	REV: 016 DATE: 08/11/09 BY: PFC/ELC/COM/CON ALL RIGHTS RESERVED	REV: 017 DATE: 08/11/09 BY: PFC/ELC/COM/CON ALL RIGHTS RESERVED	REV: 018 DATE: 08/11/09 BY: PFC/ELC/COM/CON ALL RIGHTS RESERVED	REV: 019 DATE: 08/11/09 BY: PFC/ELC/COM/CON ALL RIGHTS RESERVED	REV: 020 DATE: 08/11/09 BY: PFC/ELC/COM/CON ALL RIGHTS RESERVED
--	--	--	--	--	--	--	--	--	--	--	--	--	--	--	--	--	--	--	--	--