

4

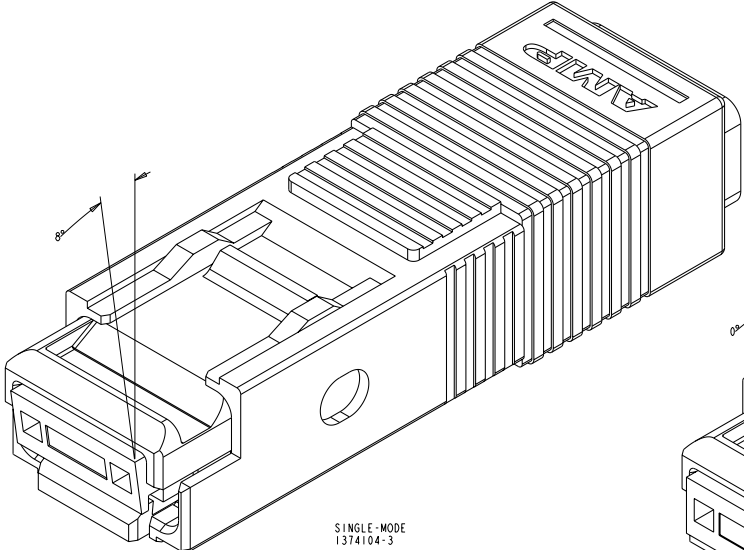
3

2

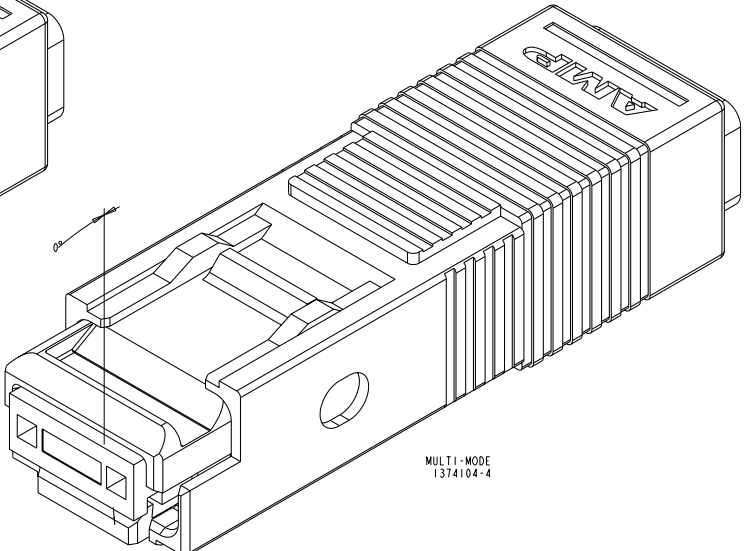
1

THIS DRAWING IS UNPUBLISHED. RELEASED FOR PUBLICATION 2009  
COPYRIGHT 2009 BY TYCO ELECTRONICS CORPORATION. ALL INTERNATIONAL RIGHTS RESERVED.

REV	LYR	DESCRIPTION	DATE	BY	APPD
D		REV PER ECN-0080-0136-01	16FEB2001	LW	SH
DI		REVISED PER ECO-10-000445	23JAN2010	KK	HMR



SINGLE-MODE  
1374104-3



MULTI-MODE  
1374104-4

BULK PACK 25 PIECES.  
 OBSOLETE PARTS: OBSOLETE CIS STREAMLINING PER D.RENAUD/D.SINISI

	OBSOLETE	MULTI-MODE	1374104-4
		SINGLE-MODE	1374104-3
SUPERSEDED BY -3		SINGLE-MODE	1374104-2
SUPERSEDED BY -4		MULTI-MODE	1374104-1
		FIBER TYPE	PART NUMBER

<small>THIS DRAWING IS UNPUBLISHED. RELEASED FOR PUBLICATION 2009. COPYRIGHT 2009 BY TYCO ELECTRONICS CORPORATION. ALL INTERNATIONAL RIGHTS RESERVED.</small>		DWG: S.MILKER 01DEC99 CHK: S.Milker APPD: S. ABENDSCHEIN 01DEC99	Tyco Electronics Corporation Harrisburg, PA 17105-3608
DIMENSIONS: mm 		TO MANUFACTURE: OPTIC SPEC: 0 PLC #0.5, 1 PLC #0.13, 3 PLC #0.013, 4 PLC #0.0081, ANGLES MATERIAL: FINISH	NAME: DUMMY LIGHTRAY MPX CONNECTOR APPLICATION SPEC: - WEIGHT: - CUSTOMER DRAWING: -
1477-9 (2/99) PROFESSIONAL DRAWING		SIZE: A2 CASE CODE: 00779 DRAWING NO: 1374104 SCALE: 1:1 SHEET 1 OF 1 REV D.1	RESTRICTED TO: -