

4

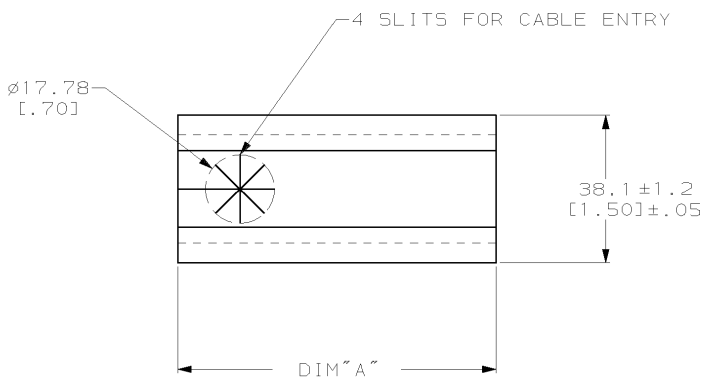
3

2

1

THIS DRAWING IS UNPUBLISHED. RELEASED FOR PUBLICATION .19
 © COPYRIGHT 19 BY AMP INCORPORATED. ALL RIGHTS RESERVED.

LOC	DIST	REVISIONS					
		P	LTR	DESCRIPTION	DATE	DWN	APVD
CE	16		A	REV PER 0A00-0127-98	3-20-98	JWD	TD
			B	REV PER 0A00-0622-98	10-20-98	JWD	SB
			C	REV PER 0A00-0639-99	6-30-99	MW	DM



65.2 ± 1.2 [2.57] ± 0.05	1	559496-4
82.0 ± 1.2 [3.23] ± 0.05	1	559496-3
82.0 ± 1.2 [3.23] ± 0.05	4	559496-2
107.4 ± 1.2 [4.23] ± 0.05	1	559496-1
DIM "A"		QUANTITY
		PART NO.

THIS DRAWING IS A CONTROLLED DOCUMENT.

DIMENSIONS: mm [Inch]	TOLERANCES UNLESS OTHERWISE SPECIFIED:	DWN T. GREEN 10AUG97	AMP Incorporated Harrisburg, PA 17105-3608	
	0 PLC ±-	CHK R. SCHAFER 18AUG97	GROMMET	
	1 PLC ±-	APVD P. TRINDELL 18AUG97	NAME	
	2 PLC ±0.5 [0.02]	PRODUCT SPEC	SIZE CAGE CODE DRAWING NO	
	3 PLC ±0.25 [0.010]	APPLICATION SPEC	RESTRICTED TO	
	4 PLC ±-	WEIGHT	A3 00779 C- 559496	
MATERIAL THERMOPLASTIC RUBBER COLOR: BLACK	FINISH -	CUSTOMER DRAWING	SCALE 1:1	SHEET 1 OF 1