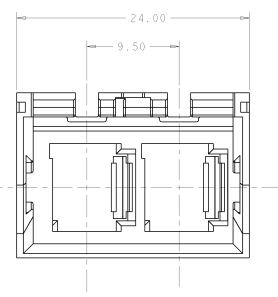
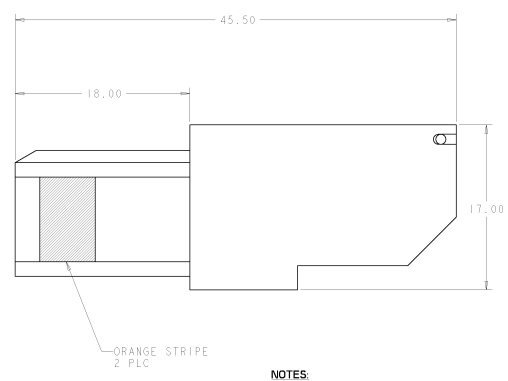
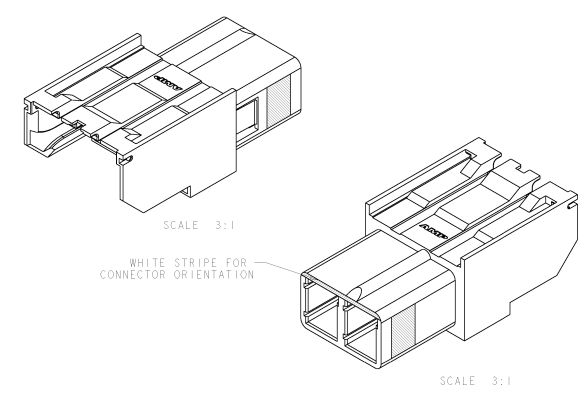
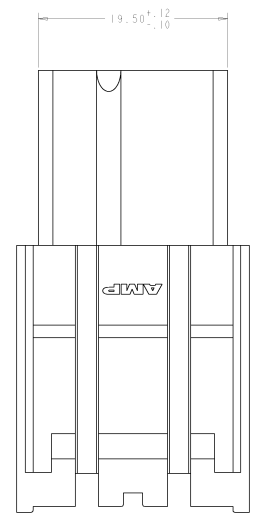
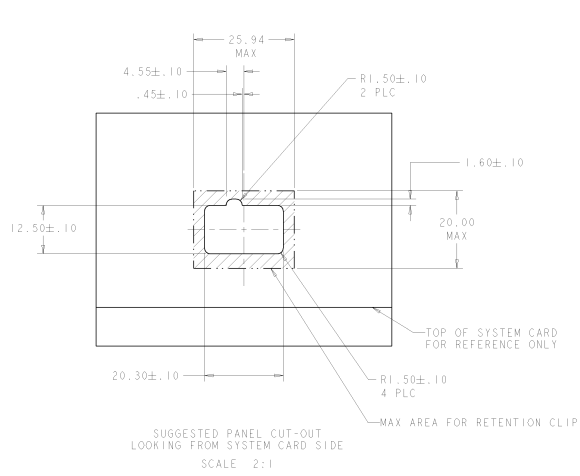


REV	DATE	DESCRIPTION	BY	CHKD	APPD
17					
16		REVISED PER EC 8480-0044-01	MMB	EB	AP



- NOTES:**
- MATERIAL: PBT, 30% GLASS FILLED.
 - HOUSING DESIGNED TO BE INSTALLED WITH RETENTION CLIP P/N 1278530-2, USING SEATING TOOL P/N 1278945-4 AND MOTHERBOARD SUPPORT P/N 1278944-3. REFER TO INSTRUCTION SHEET 408-8332.

1374490-1
 PART NUMBER

AMP ELECTRONICS BERKLEY, PA 19310-0001		AMP AMP ELECTRONICS BERKLEY, PA 19310-0001	
DATE: 12/20/01 DRAWN BY: J. J. J. J. CHECKED BY: J. J. J. J. APPROVED BY: J. J. J. J.	TITLE: HOUSING, BACKPLANE, 1 X 2 VERTICAL, LIGHTTRAY MPX	PART NUMBER: 1374490-1 REV: A DATE: 08/11/00	DRAWN BY: J. J. J. J. CHECKED BY: J. J. J. J. APPROVED BY: J. J. J. J.