

4

3

2

1

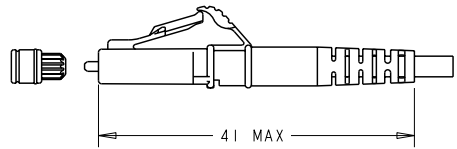
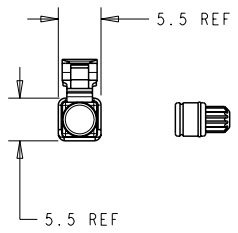
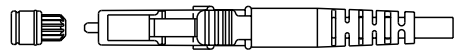
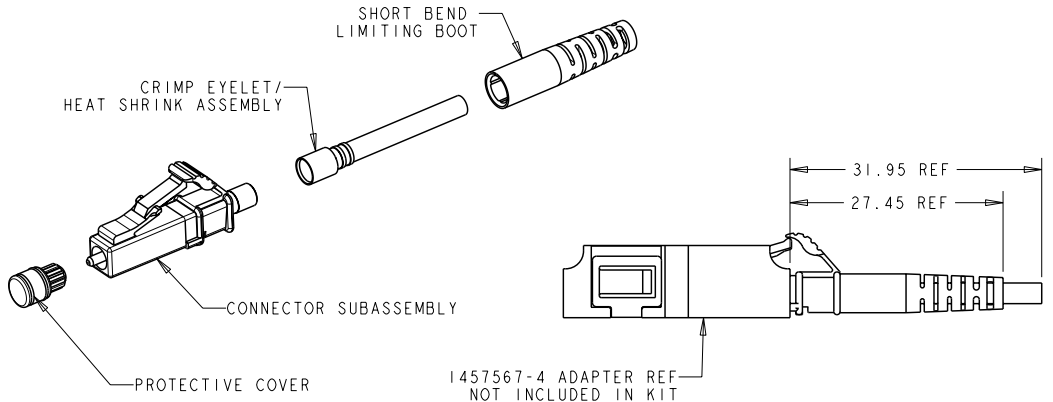
THIS DRAWING IS UNPUBLISHED. RELEASED FOR PUBLICATION
 © COPYRIGHT BY TYCO ELECTRONICS CORPORATION. ALL INTERNATIONAL RIGHTS RESERVED.

LOC	DIST	REVISIONS				
P	LTR	DESCRIPTION	DATE	DWN	APVD	
A		REVISE PER ECR-08-003533	12FEB2008	BB	CB	
B		REV PER ECR-10-009660	21JUN2010	IL	CT	

⚠ MATERIAL: PROTECTIVE COVER - TPE, COLOR: BLACK, UL 94 V-0*
 FERRULE SUBASSEMBLY - ZIRCONIA/METAL.
 COMPRESSION SPRING - STAINLESS STEEL.
 HOUSING - PEI, COLOR: BLUE, UL 94 V-0*
 INNER TUBING - PTFE, COLOR: CLEAR, UL VW-I.
 REAR BODY - METAL
 BOOT - PP, COLOR: BLUE, UL 94 V-0*
 CRIMP EYELET/HEATSHRINK ASSY - ALUM. ALLOY/POLYOLEFIN, UL VW-I
 *RATED AT QUALIFYING THICKNESS

⚠ BULK PACKAGED.

3. INSTRUCTION SHEET: 408-8675.



⚠	1918407-2
	1918407-1
	PART NUMBER

<small>THIS DRAWING IS A CONTROLLED DOCUMENT FOR TYCO ELECTRONICS CORPORATION IT IS SUBJECT TO CHANGE AND THE CONTROLLING ENGINEERING ORGANIZATION SHOULD BE CONTACTED FOR THE LATEST REVISION.</small>		DWN B. BRIGGS 12FEB2008 CHK C. BENNETT 12FEB2008 APVD S. BUCHTER 12FEB2008	Tyco Electronics Corporation Shanghai, China
DIMENSIONS: mm 	TOLERANCES UNLESS OTHERWISE SPECIFIED: 0 PLC ± 1 PLC ±0.5 2 PLC ±0.13 3 PLC ±0.013 4 PLC ±0.001 ANGLES °	NAME KIT, CONNECTOR, LC, SHORT BOOT, SIMPLEX, SM, 2.0mm JACKET PRODUCT SPEC - APPLICATION SPEC - WEIGHT -	SIZE A3 CAGE CODE - DRAWING NO. 1918407 RESTRICTED TO -
MATERIAL -	FINISH -	CUSTOMER DRAWING SCALE 2:1 SHEET 1 OF 1 REV B	

1470-19 (2/09)
 Pro/ENGINEER DRAWING