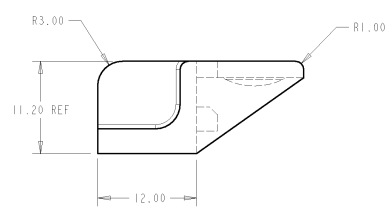
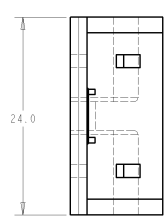
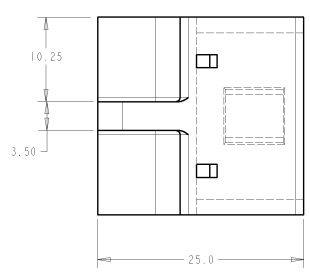
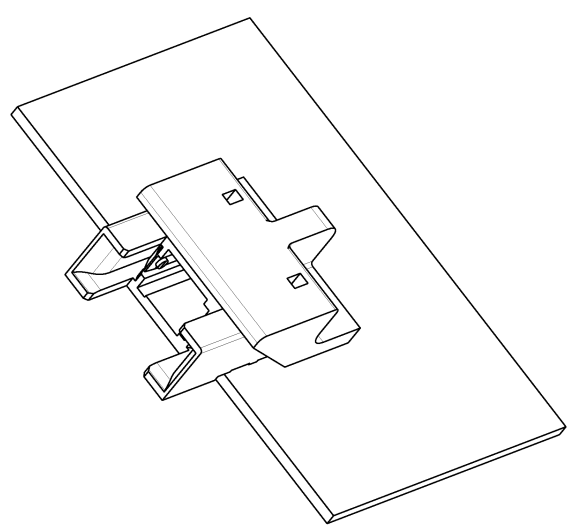


THIS DRAWING IS UNPUBLISHED
 (C) COPYRIGHT ©
 RELEASED FOR PUBLICATION
 BY AMP INCORPORATED ALL RIGHTS RESERVED

REV	DATE	BY	APPROV	DESCRIPTION
0	04/09/98	JDL	LAB	DRAWN



MATERIAL: ELASTOMER
 ARNITEL PL460S
 FLAMABILITY RATING: UL94V-0
 COLOR: BLACK



SCALE 3:1

1278201-1
 PART NUMBER

<small>THIS DRAWING IS UNPUBLISHED UNLESS SO INDICATED ALL DIMENSIONS ARE IN MILLIMETERS UNLESS OTHERWISE SPECIFIED DIMENSIONS SHOULD BE TAKEN FOR THE LATEST REVISION</small>		DWG NO. 0440598 CHG NO. 0440598 DTL. BARRUS 0440598 STD. BARRUS 0440598	AMP Incorporated Harrisburg, PA 17105-3400
DIMENSIONS: mm 	TOLERANCES UNLESS OTHERWISE SPECIFIED: DIMENSIONS IN MILLIMETERS 0 PLC ±0.1 1 PLC ±0.3 2 PLC ±0.5 3 PLC ±0.055 4 PLC ±0.065 ANGLES ±0.1	PRODUCT SPEC APPLICATION SPEC WEIGHT CUSTOMER DRAWING	SHEET CASE CODE DRAWING NO. RESTRICTED TO A2 00778 C-1278201 SCALE 3:1 SHEET OF REV Q