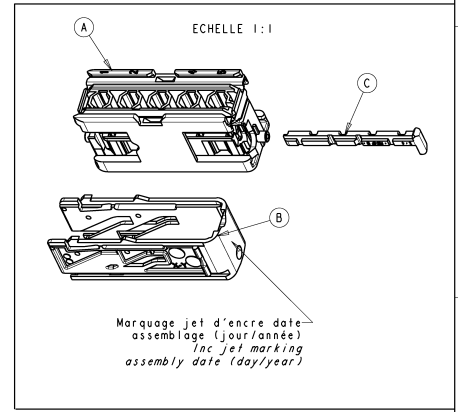


LOC	DIST	REVISIONS					
F	00	P	LTA	DESCRIPTION	DATE	APPD	APPD
		O		See drawings graner camelet 4252E200 and 4252E201	14-june-92	PFs	JDr
		A		See EC number ER00-9019-02	14-june-92	PFs	JDr
		B		Add inc jet (day/year)	28-sept-96	PFs	JDr



Dimensions connecteur ferme Closed connector dimensions	REFERENCES / PART NUMBER	
		1544551-2 Etrier du côté repère 1 cam in cavity number 1 side

Repere Repere	Designation Name	Matiere Material	Couleur Colour	Qty. Qty.
C	Verrou Secondaire Secondary Locking	PBT GF10	Jaune Yellow	1
B	Etrier Cam	PBT GF10	Gris Grey	1
A	Porte Clips Terminal receptacle housing	PBT GF10	Noir Black	1

DATE REVISION	14juin02	TYCO ELECTRONICS France SAS
REP. FLORES		BP 39, 95301 CERGY-POINTEUSE Cedex
CON. GINEY		
PRO. DAHER		
NAME	CONNECTEUR 5V CLIPS 6.35NG1	
TYPE	CONNECTEUR 5 WAY FOR 6.35NG1 TERMINAL	
APPLICATION SPEC		
SPEC. APPLICATION		
FILE		
FORMAT		
SCALE	2:1	
WEIGHT	0.027 kg	
MASS APPROX.		
CUSTOMER DRAWING		
PLAN CLIENT		
POUR REFERENCE		
SCALE		
SHEET		
OF		
REV		

AMP 1471-9 REV 31MAR2000