

4

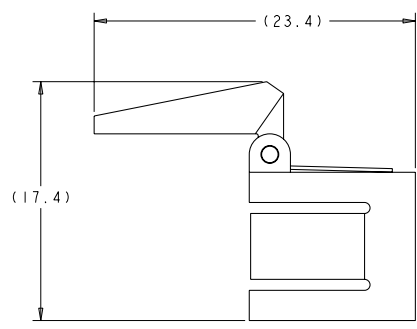
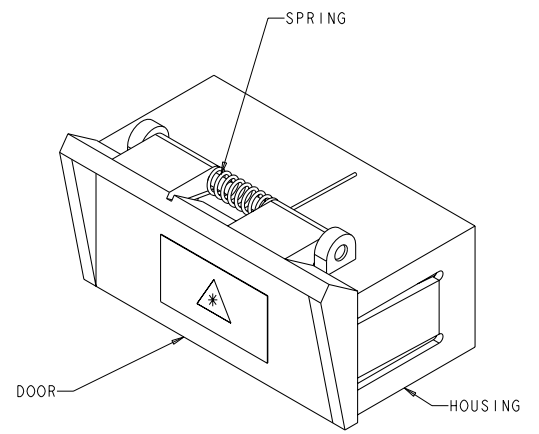
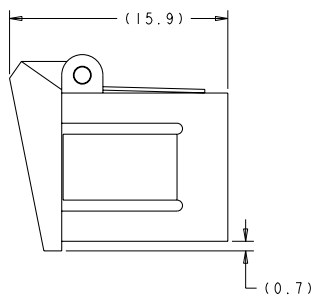
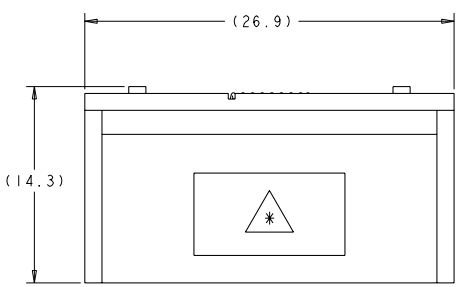
3

2

1

THIS DRAWING IS UNPUBLISHED. BY TYCO ELECTRONICS CORPORATION. ALL RIGHTS RESERVED.

REV	DATE	BY	CHKD	APPROV
A	23 JUL 2003	EJH	SB	
B	11 JAN 2008	BB	SM	
C	21 JUL 2008	BB	SM	



DOOR OPEN VIEW

△ MATERIAL:  
 HOUSING AND DOOR: PBT, UL94 V-0 RATED AT QUALIFYING THICKNESS  
 SPRING: STAINLESS STEEL

GREEN	1693540-3
BEIGE	1693540-2
BLUE	1693540-1
COLOR	PART NUMBER

DIMENSIONS: mm		TO MANUFACTURE TO THE CLOSEST DIMENSION UNLESS OTHERWISE SPECIFIED		DWG NO: 08MAY2003 MOD: 08MAY2003 CDR: 08MAY2003 APP'D: 08MAY2003	Tyco Electronics Harrisburg, PA 17105-3608
0 PLC ±.15 1 PLC ±0.15 2 PLC ±0.08 3 PLC ±0.050 4 PLC ±.1 ANGLES ±1/2° FINISH -		PRODUCT SPEC - APPLICATION SPEC - WEIGHT - CUSTOMER DRAWING		NAME: RETRACTABLE COVER, DUPLEX, SC ADAPTER SIZE: A2 CASE CODE: 00779 DRAWING NO: 1693540 RESTRICTED TO: -	
MATERIAL: △		SCALE: 5:1		SHEET 1 OF 1 REV C	