

4

3

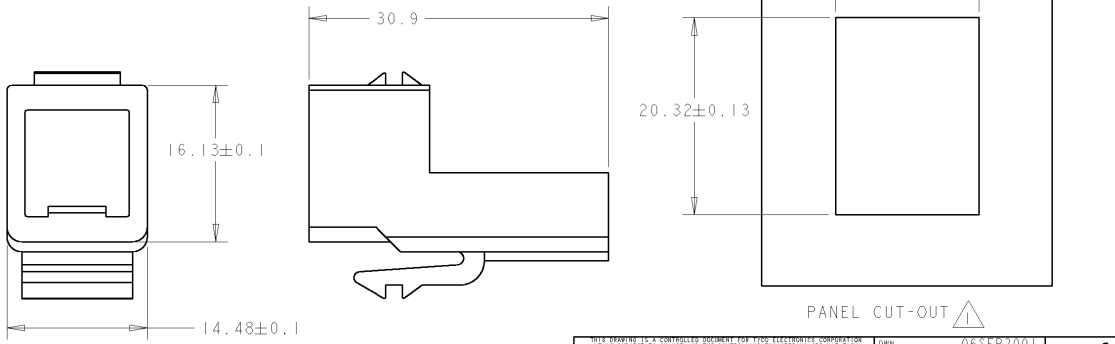
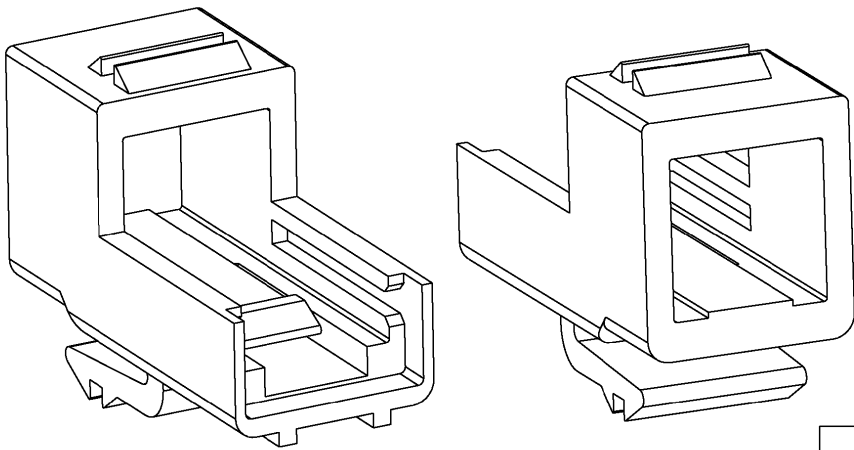
2

1

THIS DRAWING IS UNPUBLISHED. RELEASED FOR PUBLICATION
 © COPYRIGHT 20 BY TYCO ELECTRONICS CORPORATION. ALL RIGHTS RESERVED.

LOC CE DIST 00

REVISIONS					
P	LTR	DESCRIPTION	DATE	DWN	APVD
0		RELEASE PER NPR 00-124	06SEP2001	BB	BE
A		REVISE PER 0A00-0508-03	16OCT2003	BB	DR
B		REVISE PER 0A00-0413-04	19AUG2004	BB	DK
C		REVISE PER 0A00-0096-05	03MAR2005	BB	DK



SLATE	2-1374416-6
BROWN	2-1374416-5
AQUA	2-1374416-4
ROSE	2-1374416-3
ELECT. IVORY	1-1374416-1
VIOLET	1-1374416-0
GREEN	1374416-9
YELLOW	1374416-8
RED	1374416-7
BLUE	1374416-6
ORANGE	1374416-5
GRAY	1374416-4
WHITE	1374416-3
BLACK	1374416-2
ALMOND	1374416-1
COLOR	PART NUMBER

⚠ PANEL THICKNESS IS 1.65/1.50mm.
 2. BULK PACKAGE, 6 PCS.

<small>THIS DRAWING IS A CONTROLLED DOCUMENT FOR TYCO ELECTRONICS CORPORATION IT IS SUBJECT TO CHANGE AND THE CONTROLLING ENGINEERING ORGANIZATION SHOULD BE CONTACTED FOR THE LATEST REVISION.</small>		DWN B. BRIGGS 06SEP2001 CHK B. BRIGGS 06SEP2001 APVD B. EDWARDS 06SEP2001	tyco Electronics Tyco Electronics Harrisburg, PA 17105-3608
DIMENSIONS: mm 	TOLERANCES UNLESS OTHERWISE SPECIFIED: 0 PLC ±0.1 1 PLC ±0.1 2 PLC ±0.05 3 PLC ± 4 PLC ± ANGLES ± FINISH -	PRODUCT SPEC - APPLICATION SPEC - WEIGHT -	NAME CONNECTOR JACK HOUSING, 39mm, MT-RJ FIELD TERMINATION SIZE A3 CAGE CODE 00779 DRAWING NO. C-1374416 RESTRICTED TO -
MATERIAL -		CUSTOMER DRAWING SCALE 4:1 SHEET 1 OF 1 REV C	

AMP 1470-19 REV 31MAR2000
 Proj/ENGINEER DRAWING