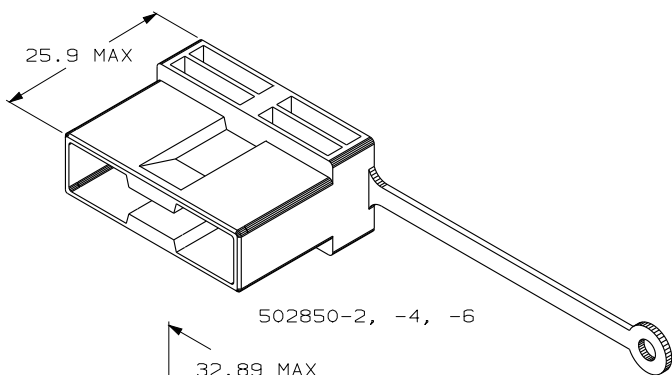


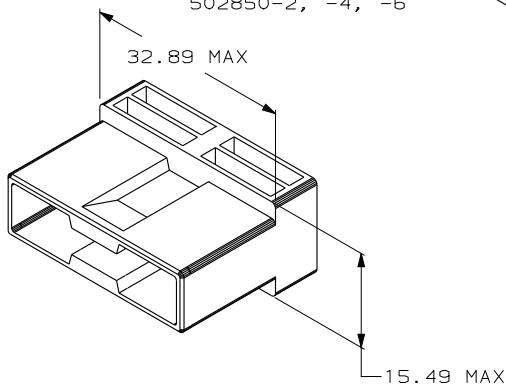
DRAWING MADE IN THIRD ANGLE PROJECTION

THIS DRAWING IS UNPUBLISHED. RELEASED FOR PUBLICATION, 19 .
 © COPYRIGHT 19 BY AMP INCORPORATED. ALL INTERNATIONAL RIGHTS RESERVED.

LOC	DIST	REVISIONS				DATE	APPD
CE	00	P	F	ZONE	LTR	DESCRIPTION	
				C		REV PER 0A00-0076-05	2-18-05 DDE



502850-2, -4, -6



502850-1, -3, -5

1 MATL: TPE: UL94 V-0 RATED AT QUALIFYING THICKNESS, SEE DASH NUMBER FOR COLOR.

2. FITS STANDARD MIC RECEPTACLE, ALL KEYING TYPES.

OBSOLETE	COLOR	DESCRIPTION	PART NUMBER
OBSOLETE	PEARL	WITH MOUNTING STRAP	502850-6
OBSOLETE	WHITE	W/O MOUNTING STRAP	502850-5
OBSOLETE	BLACK	WITH MOUNTING STRAP	502850-4
OBSOLETE		W/O MOUNTING STRAP	502850-3
OBSOLETE	BEIGE	WITH MOUNTING STRAP	502850-2
OBSOLETE		W/O MOUNTING STRAP	502850-1
	COLOR	DESCRIPTION	PART NUMBER

DO NOT SCALE PRINT. UNLESS SPECIFIED DIMENSIONS IN mm TOLERANCES ON: 2. PLC DEC ± - 3. PLC DEC ± - ANGLES ± -		DR R. HILEMAN 6-26-96	AMP INCORPORATED Harrisburg, Pa. 17105	
MATERIAL 1	PRODUCT SPEC	CHK F. ROVENOLT 7-9-96	NAME DUST COVER, FIELD KEY RECEPTACLE	
	FINISH	APPD F. ABENDSCHEIN 7-9-96		
	APPLICATION SPEC	APPD F. ABENDSCHEIN 7-9-96	SIZE B	FSCM NO 00779
	WEIGHT		SCALE 2:1	DRAWING NO 502850
				SHEET 1 OF 1

AMP 1470-15 REV 3-87
 14-JAN-01 08:20:19 amp34874 /home/amp34874/edmod

CUSTOMER DRAWING