

4

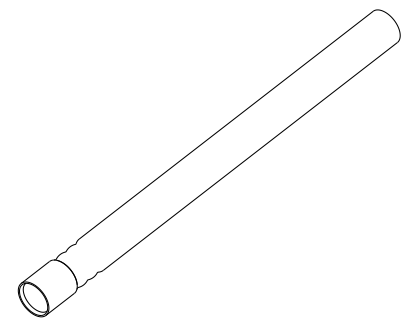
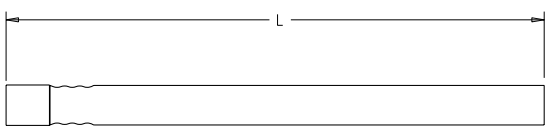
3

2

1

THIS DRAWING IS UNPUBLISHED. RELEASED FOR PUBLICATION. BY TYCO ELECTRONICS CORPORATION. ALL INTERNATIONAL RIGHTS RESERVED. COPYRIGHT

REV	DATE	BY	APPD
A	19JUN2006	DHR	DHR
B	08X12008	BB	SG
B1	10AUG2010	IL	CT



- △ MATERIAL: CRIMP EYELET: ALUMINUM ALLOY, HEAT SHRINK: POLYOLEFIN, SEE TABLE FOR COLORS.
- 2. TUBING TO MEET UL VW-1 FLAMMABILITY REQUIREMENT.
- 3. BULK PACKAGED.
- 4. ACCOMODATES MAXIMUM CABLE OUTSIDE DIAMETER OF 2.65mm.

BLACK	26±1.5 mm	6588189-4
	18±1.5 mm	6588189-3
	6.4±1.5 mm	6588189-2
	4.9±1.5 mm	6588189-1
COLOR	L	PART NO

DIMENSIONS: mm 	TO MANUFACTURE TO THE SPECIFICATIONS OF THE CUSTOMER'S DRAWING. DIMENSIONS ARE IN MILLIMETERS UNLESS OTHERWISE SPECIFIED.	DWG: 02JUN2005 CHK: HOPKINS CDR: ROHDE APPD: 02JUN2005 NAME: S. BUCHTER PRODUCT SPEC: APPLICATION SPEC: WEIGHT: MATERIAL: △ FINISH: -	02JUN2005 Tyco Electronics Corporation Shanghai, China CRIMP EYELET/ HEAT SHRINK ASSY, LC CONNECTOR, 2.4/2.5mm SIZE: A2 CASE CODE: 6588189 DRAWING NO: 6588189 RESTRICTED TO: - CUSTOMER DRAWING SCALE: 4:1 SHEET: 1 OF 1 REV: B1
-----------------------	--	--	---