

4

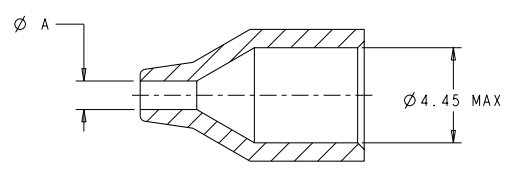
3

2

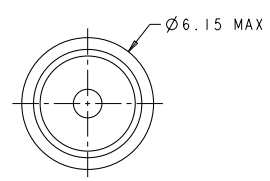
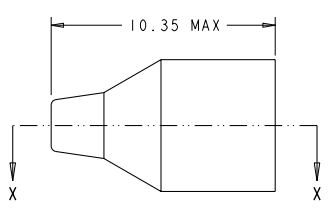
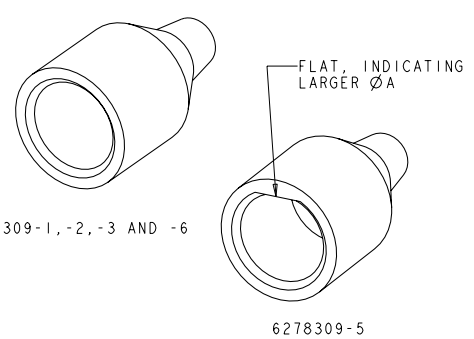
1

THIS DRAWING IS UNPUBLISHED. RELEASED FOR PUBLICATION BY TYCO ELECTRONICS CORPORATION. ALL RIGHTS RESERVED. COPYRIGHT 20

REV	DATE	BY	CHKD	APPROV
B	1/18/2005	EJH	SB	
C	09/JAN/2007	BB	SM	
C1	1/02/2008	BB	SM	



SECTION X-X



1.05	AQUA	6278309-6
1.45	BLACK	6278309-5
1.05	RED	6278309-3
1.05	BLUE	6278309-2
1.05	BLACK	6278309-1
DIM A	COLOR	PART NO

⚠ MATERIAL: TPE, UL 94 V-0 RATED AT QUALIFYING THICKNESS. SEE DASH NUMBER FOR COLOR.

DIMENSIONS: mm		TOLERANCES UNLESS OTHERWISE SPECIFIED:		DATE: 27 JAN 2005		TYCO ELECTRONICS Harrisburg, PA 17105-3608	
Ø	PLC	±		DESIGNED BY: HOPKINS	DATE: 27 JAN 2005	NAME: S. BUCHTER	
	PLC	±		CHECKED BY: ERDMAN	DATE: 27 JAN 2005	PART NO: BOOT, SHORT, BARE BUFFER	
	PLC	±	00.05	APPROVED BY: S. BUCHTER	DATE: 27 JAN 2005	RESTRICTED TO: -	
	PLC	±		APPLICATION SPEC: -	SHEET: A2	CASE CODE: 00779	DRAWING NO: 6278309
	PLC	±		WEIGHT: -	SCALE: 8:1		SHEET: 1 OF 1
	ANGLES	±		CUSTOMER DRAWING	REV: C1		
	FINISH	-					