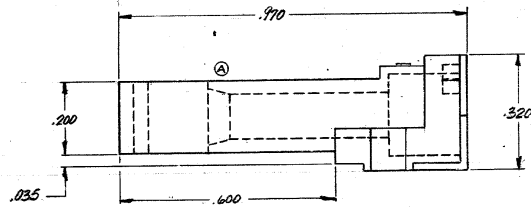
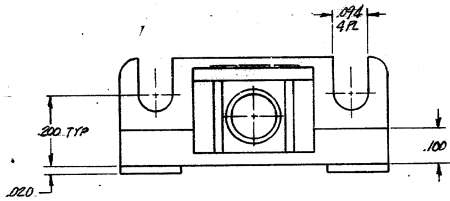
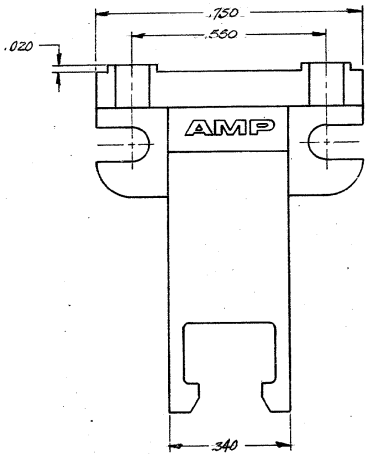


DRAWING MADE IN AMERICAN PROJECTION

© 1961 BY AMP INCORPORATED. ALL RIGHTS RESERVED. AMP PRODUCTS COVERED BY PATENTS AND/OR PATENTS PENDING.

REVISIONS				
ZONE	LTR	DESCRIPTION	DATE	APPROVED
D		REWORKED WPS 81-2515	3/5/81	PK
A		REVISED CONFIGURATION OF I.D. C81-231	4/28/80	PK
B		REV. PER ECN C83-261	3/23/83	PK, S008



UNLESS OTHERWISE SPECIFIED, DIMENSIONS ARE IN INCHES. TOLERANCES ON: DECIMALS ±.010 ANGLES ±.1°	CONTRACT NO.		AMP INCORPORATED HARRISBURG, PENNSYLVANIA						
	DIR	<i>John 3/29/81</i>							
	CHK	<i>R. Mellon 3/31/81</i>	NAME	MOUNT, ACTIVE DEVICE					
	APPD	<i>Bernie Caser 3/31/81</i>	DESCRIPTION	OPTIMATE DNP TO-18 TYPE					
MATERIAL	NYLON, COLOR: BLACK	TITLE	<i>Michael Bond 4-1-81</i>	SIZE	C	CODE IDENT NO.	00779	NUMBER	228043-1
OTHER APPD		SCALE		SHEET	1 of 1				