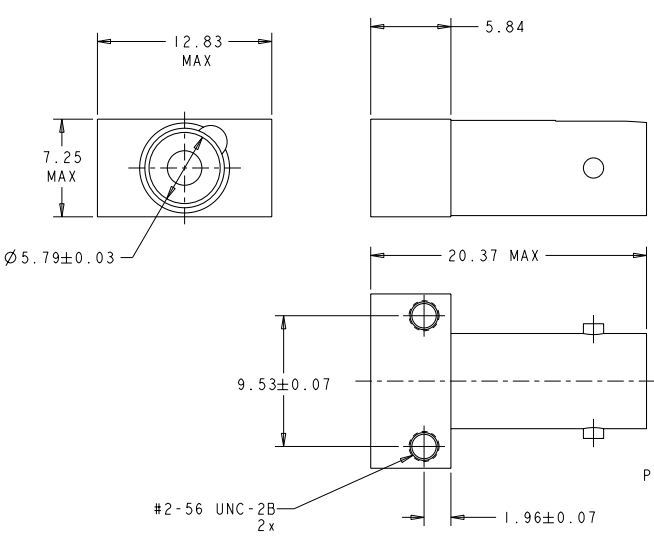


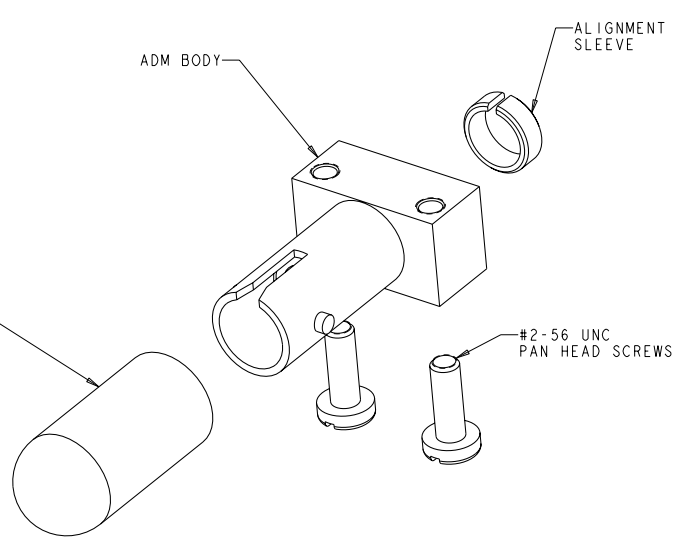
LOC		DIST		REVISIONS			
P	LY	DESCRIPTION	DATE	BY	APPR		
A		RELEASE TO ACTIVE	09JUN2006	BB	SB		



ACTIVE DEVICE MOUNT BODY

1. ACCEPTS ACTIVE DEVICES: TO-52, TO-18, TO-46 OR LOW COST HONEYWELL SWEETSPOT.

MATERIAL:  
 PROTECTIVE CAP: PVC, COLOR: RED, NON-FR.  
 ADM BODY: NICKEL PLATED ZINC  
 ALIGNMENT SLEEVE: PBT, COLOR: BLACK, UL94 V-0 RATED AT QUALIFYING THICKNESS



5502585-2  
PART NUMBER

DIMENSIONS:		TOLERANCES UNLESS OTHERWISE SPECIFIED:		OWN	14OCT2005	Tyco Electronics Harrisburg, PA 17105-3608	
mm		0.13		B. BRIGGS	14OCT2005	ACTIVE DEVICE MOUNT KIT, 2.5mm BAYONET	
0.13		0.13		S. BUCHTER	14OCT2005	2.5mm BAYONET	
0.13		0.13		S. BUCHTER	14OCT2005	2.5mm BAYONET	
0.13		0.13		PRODUCT SPEC		RESTRICTED TO	
0.13		0.13		APPLICATION SPEC		SCALE 5:1 SHEET 1 OF 1 REV A	
0.13		0.13		WEIGHT		CUSTOMER DRAWING	
0.13		0.13		FINISH		SCALE 5:1 SHEET 1 OF 1 REV A	