

4

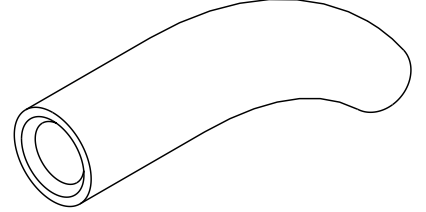
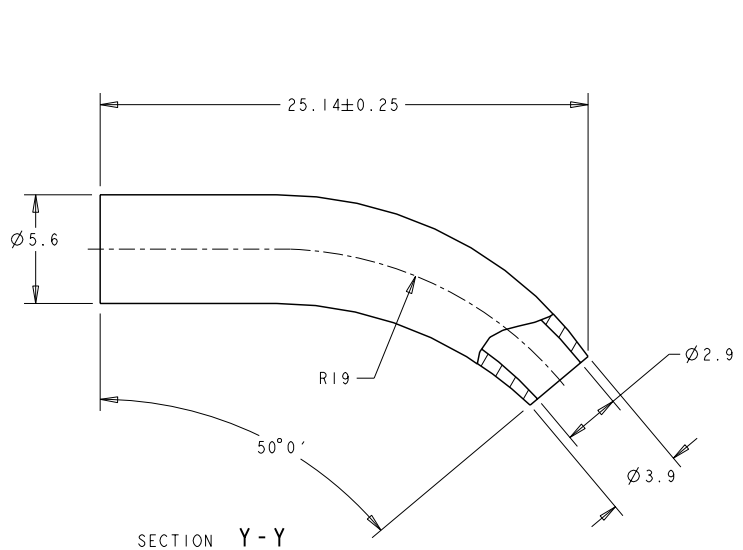
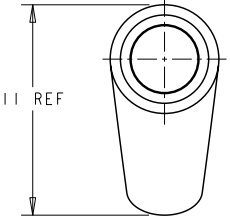
3

2

1

THIS DRAWING IS UNPUBLISHED. RELEASED FOR PUBLICATION
 © COPYRIGHT BY TYCO ELECTRONICS CORPORATION. ALL INTERNATIONAL RIGHTS RESERVED.

LOC	DIST	REVISIONS				
P	LTR	DESCRIPTION	DATE	DWN	APVD	
C		ECR-05-005541	08JUN2005	EJH	SB	
D		REVISE PER ECR-07-030736	19DEC2007	BB	SB	
DI		REV PER ECR-10-011735	03JUN2010	IL	CT	



RED	6457543-8
WHITE	6457543-7
YELLOW	6457543-6
GREEN	6457543-5
BLACK	6457543-4
BLUE	6457543-2
BEIGE	6457543-1
COLOR	PART NO

⚠ TPE, UL 94 V-0 RATED AT QUALIFYING THICKNESS, SEE TABLE FOR COLORS.

<small>THIS DRAWING IS A CONTROLLED DOCUMENT FOR TYCO ELECTRONICS CORPORATION IT IS SUBJECT TO CHANGE AND THE CONTROLLING ENGINEERING ORGANIZATION SHOULD BE CONTACTED FOR THE LATEST REVISION.</small>		DWN 26 JAN 2005 E. HOPKINS CHN 26 JAN 2005 D. ERDMAN APVD 26 JAN 2005 S. BUCHTER	Tyco Electronics Corporation Shanghai, China
DIMENSIONS: mm	TOLERANCES UNLESS OTHERWISE SPECIFIED: 0 PLC ±0.1 1 PLC ±0.1 2 PLC ± 3 PLC ± 4 PLC ± ANGLES 45°	NAME - PRODUCT SPEC - APPLICATION SPEC - WEIGHT -	SIZE CAGE CODE DRAWING NO RESTRICTED TO A3 - C-6457543 -
MATERIAL ⚠	FINISH -	CUSTOMER DRAWING	SCALE 5:1 SHEET 1 OF 1 REV DI