

4

3

2

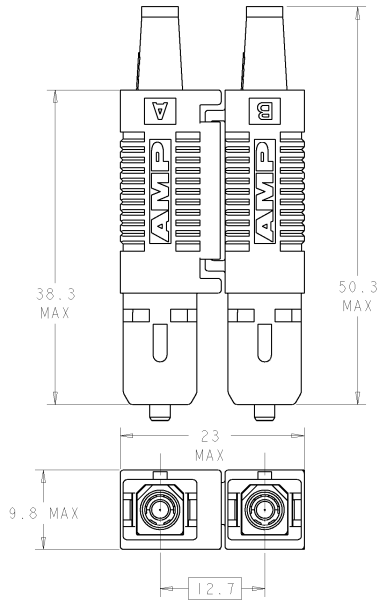
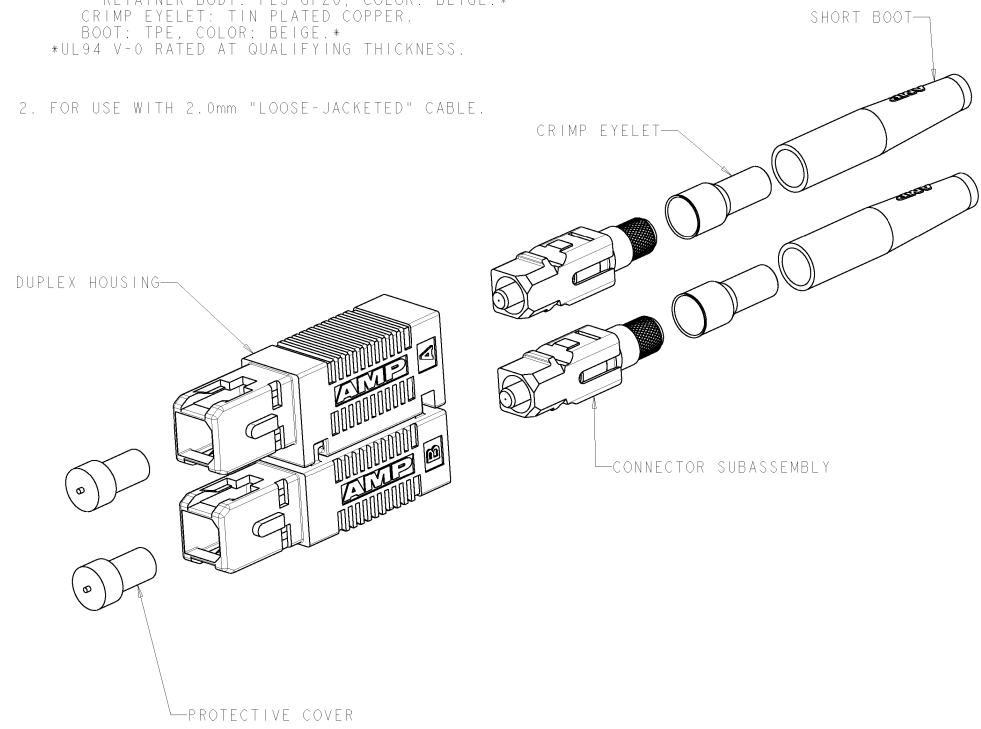
1

THIS DRAWING IS UNPUBLISHED. RELEASED FOR PUBLICATION BY TYCO ELECTRONICS CORPORATION. ALL RIGHTS RESERVED.

REV	DATE	BY	CHKD	DESCRIPTION
B	12NOV2004	BB	SM	REVISE PER 0400-0556-04

MATERIAL:
 CONNECTOR HOUSING: PBT-GF17, COLOR: BEIGE.*
 PROTECTIVE COVER: LDPE, COLOR: BLACK, NON-FR.
 CONNECTOR SUBASSEMBLY:
 PLUG BODY: PES-GF20, COLOR: BEIGE.*
 FERRULE ASSEMBLY: CERAMIC/PBT-GF17, COLOR: BEIGE.*
 EPOXY FILL TUBING: PTFE, COLOR: CLEAR, UL VW-1 RATED.
 SPRING: STAINLESS STEEL.
 RETAINER BODY: PES-GF20, COLOR: BEIGE.*
 CRIMP EYELET: TIN PLATED COPPER.
 BOOT: TPE, COLOR: BEIGE.*
 *UL94 V-0 RATED AT QUALIFYING THICKNESS.

2. FOR USE WITH 2.0mm "LOOSE-JACKETED" CABLE.



504928-1
PART NUMBER

DIMENSIONS: mm		DIMENSIONS: INCHES		DWG B. BRIGGS 12NOV2004	tyco Electronics Tyco Electronics Harrisburg, PA 17105-8400
PLG PLG PLG PLG ANGLES FINISH		INCHES INCHES INCHES INCHES DEGREES FINISH		CHKD S. MILLER 12NOV2004	AMP SC DUPLEX CONNECTOR KIT, MULTIMODE, 2.0mm
MATERIAL PBT-GF17		MATERIAL PBT-GF17		APD S. BUCHTER 12NOV2004	
WEIGHT -		WEIGHT -		SIZE A200779C-504928	RESTRICTED TO -
CUSTOMER DRAWING		CUSTOMER DRAWING		SCALE 3:1	SHEET 1 OF 1

AMP 1471-1 REV 20040200
PRO/ENGINEER DRAWING