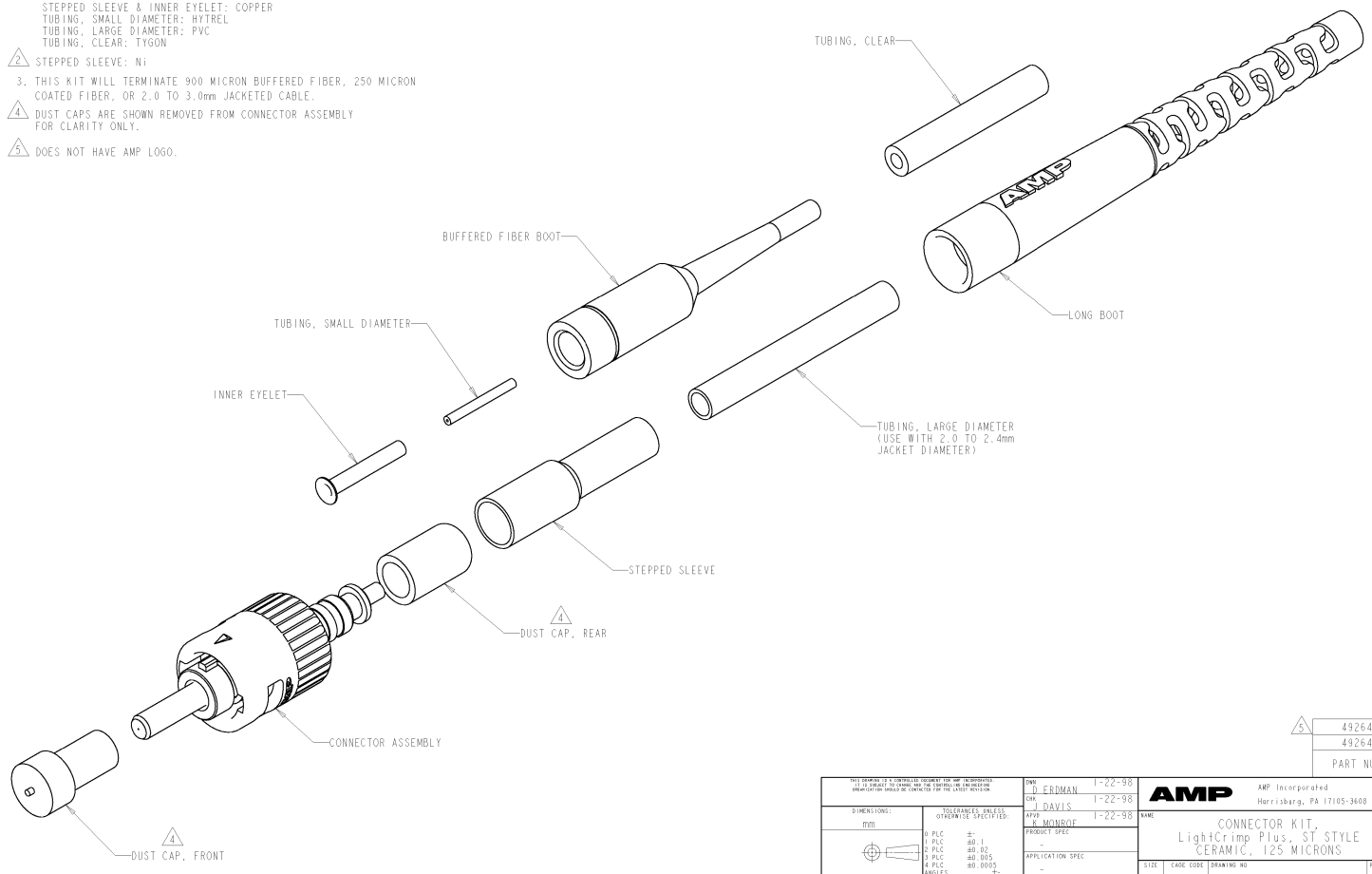


4 3 2 1

THIS DRAWING IS UNPUBLISHED. RELEASED FOR PUBLICATION. COPYRIGHT © BY AMP INCORPORATED. ALL RIGHTS RESERVED.

REVOLUTIONS		DATE	BY	APPROVED
7	LFK			
D	REVISED PER 0A00-0465-02	10/JUL/2002	TA	BE

- ⚠ CONNECTOR ASSY: BODY AL, FERRULE CERAMIC
BOOTS: THERMOPLASTIC ELASTOMER
STEPPED SLEEVE & INNER EYELET: COPPER
TUBING, SMALL DIAMETER: HYTREL
TUBING, LARGE DIAMETER: PVC
TUBING, CLEAR: TYGON
- ⚠ STEPPED SLEEVE: Ni
- 3. THIS KIT WILL TERMINATE 900 MICRON BUFFERED FIBER, 250 MICRON COATED FIBER, OR 2.0 TO 3.0mm JACKETED CABLE.
- ⚠ DUST CAPS ARE SHOWN REMOVED FROM CONNECTOR ASSEMBLY FOR CLARITY ONLY.
- ⚠ DOES NOT HAVE AMP LOGO.



492642-2
492642-1
PART NUMBER

<small>THIS DRAWING IS UNPUBLISHED. RELEASED FOR PUBLICATION. ALL RIGHTS RESERVED. FOR INFORMATION ONLY. CONTACT THE ORIGINAL DRAWING OR CONTACT THE LABEL MANUFACTURER FOR THE LATEST REVISION.</small>		ENG: D. ERDMAN 1-22-98 DES: J. DAVIS 1-22-98 APPR: R. MONIZAT 1-22-98	AMP Incorporated Harrisburg, PA 17105-3608
DIMENSIONS: mm 0 PLG .01 1 PLG .01 2 PLG .01 3 PLG .01 4 PLG .01 ANGLES: .01	TOLERANCES UNLESS OTHERWISE SPECIFIED: .01 .02 .05 .10 .15 .20 .30 .40 .50 .60 .70 .80 .90 1.00	PRODUCT SPEC: - APPLICATION SPEC: - WEIGHT: -	SIZE: A2 CASE CODE: 100779 DRAWING NO: C=492642 RESTRICTED TO: -
MATERIAL: - FINISH: -		CUSTOMER DRAWING	SCALE: 4:1 SHEET: 1 OF 1 REV: D

AMP 1471-9 REV 27JUN98
P&E ENGINEER DRAWING