

4

3

2

1

THIS DRAWING IS UNPUBLISHED. RELEASED FOR PUBLICATION
 © COPYRIGHT 19 BY AMP INCORPORATED. ALL RIGHTS RESERVED.

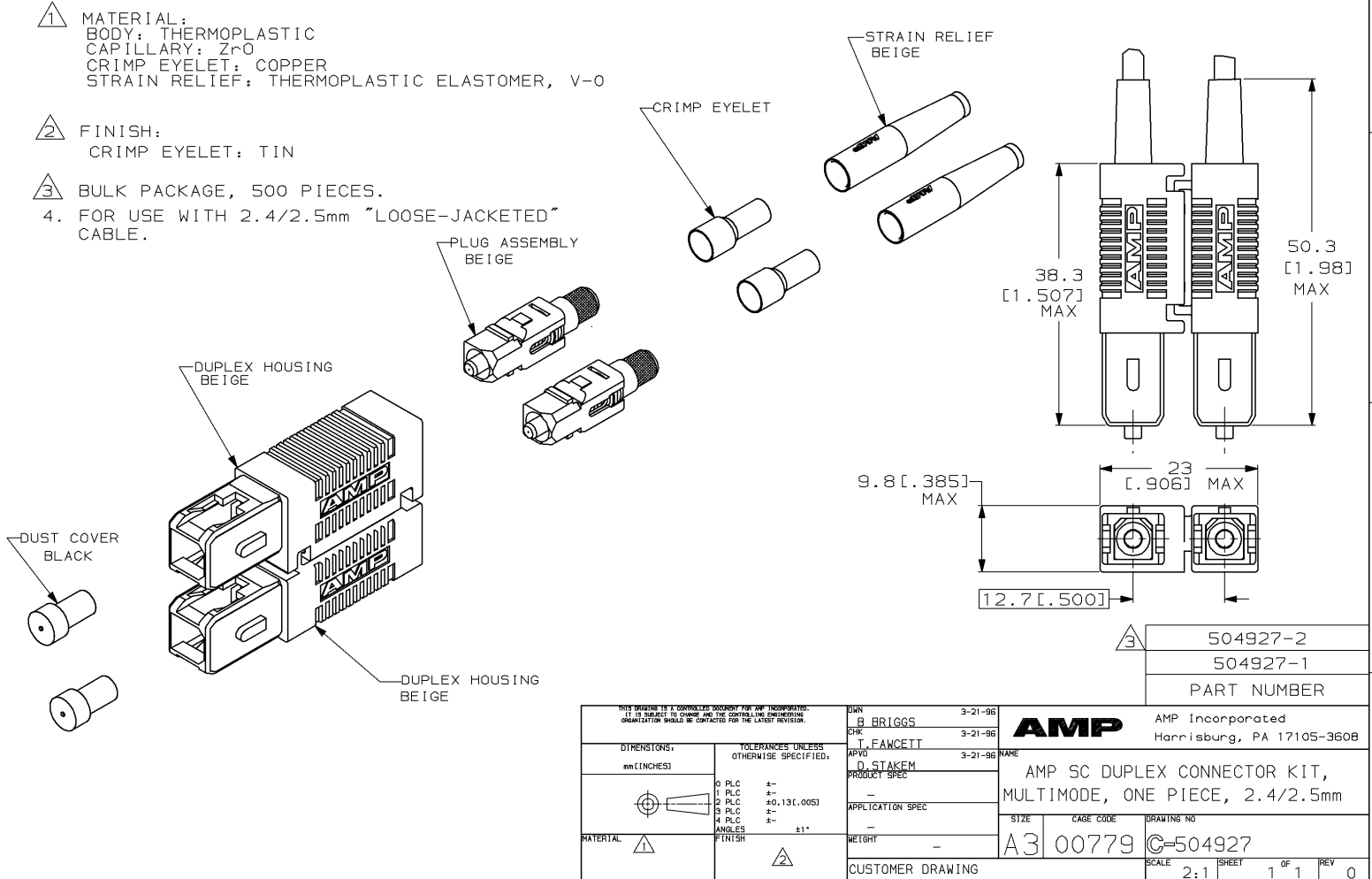
LOC	QTY	REV	DESCRIPTION	DATE	BY	APP
CE	16	0	RELEASE PER NPR 96-57	3-21-96	BB	TF

1 MATERIAL:
 BODY: THERMOPLASTIC
 CAPILLARY: ZrO
 CRIMP EYELET: COPPER
 STRAIN RELIEF: THERMOPLASTIC ELASTOMER, V-0

2 FINISH:
 CRIMP EYELET: TIN

3 BULK PACKAGE, 500 PIECES.

4. FOR USE WITH 2.4/2.5mm "LOOSE-JACKETED" CABLE.



<small>THIS DRAWING IS A CONTROLLED DOCUMENT FOR AMP INCORPORATED. IT IS SUBJECT TO CHANGE AND THE CONTROLLING ENGINEERING ORGANIZATION SHOULD BE CONTACTED FOR THE LATEST REVISION.</small>		DWG: B BRIGGS 3-21-96 CHK: T FAWCETT 3-21-96 APVD: D STAKEM 3-21-96	AMP AMP Incorporated Harrisburg, PA 17105-3608
DIMENSIONS: mm (INCHES) TOLERANCES UNLESS OTHERWISE SPECIFIED: 0 PLC ±- 1 PLC ±- 2 PLC ±0.13(.005) 3 PLC ±- 4 PLC ±- ANGLES ±1° FINISH		NAME: AMP SC DUPLEX CONNECTOR KIT, MULTIMODE, ONE PIECE, 2.4/2.5mm	PART NUMBER: 504927-2, 504927-1
MATERIAL:		WEIGHT: - APPLICATION SPEC: - PRODUCT SPEC: -	SIZE: A3 CAGE CODE: 00779 DRAWINGS NO: ©-504927
CUSTOMER DRAWING		SCALE: 2:1	SHEET: 1 OF 1 REV: 0

AMP1470-19 REV 10/93