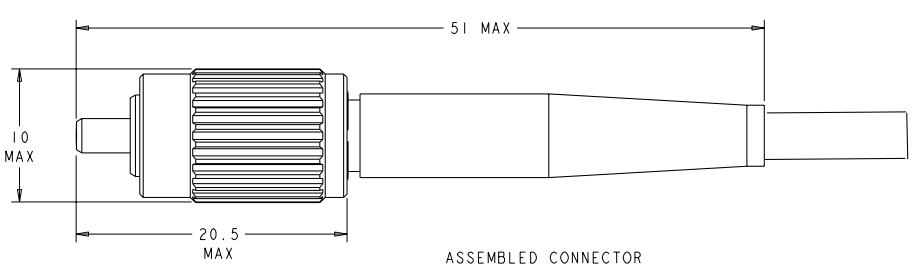


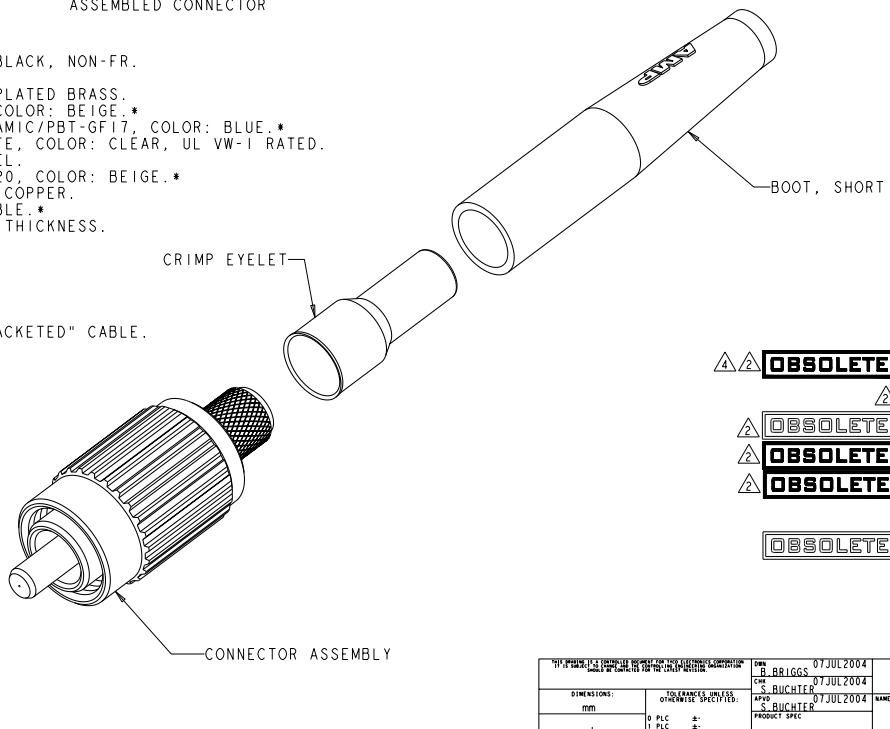
REV	DESCRIPTION	DATE	BY	APPD
G	REVISE PER 0A00-0323-04	07JUL2004	BB	SB
H	REVISE PER 0A00-0587-04	03NOV2004	BB	SM
J	REVISE PER 0A00-0582-04	17NOV2004	BB	SM
K	REVISE PER ECR-10-002998	1JUL2010	LL	CT



ASSEMBLED CONNECTOR

- MATERIAL:**
- PROTECTIVE COVER: LDPE, BLACK, NON-FR.
  - CONNECTOR SUB-ASSEMBLY:
  - COUPLING NUT: NICKEL PLATED BRASS.
  - PLUG BODY: PPS-GF40, COLOR: BEIGE.\*
  - FERRULE ASSEMBLY: CERAMIC/PBT-GF17, COLOR: BLUE.\*
  - EPOXY-FILL TUBING: PTFE, COLOR: CLEAR, UL VW-1 RATED.
  - SPRING: STAINLESS STEEL.
  - RETAINER BODY: PES-GF20, COLOR: BEIGE.\*
  - CRIMP EYELET: TIN PLATED COPPER.
  - BOOT: TPE, COLOR: SEE TABLE.\*
- \*UL94 V-0 RATED AT QUALIFYING THICKNESS.

- BULK PACKAGE.
- 3. TO BE USED WITH 3.0mm "LOOSE JACKETED" CABLE.
- CONTAINS NO EYELET OR BOOT.



BOOT COLOR	PART NUMBER
<b>OBSOLETE</b>	-
<b>OBSOLETE</b>	504649-9
<b>OBSOLETE</b>	BLUE
<b>OBSOLETE</b>	504649-8
<b>OBSOLETE</b>	BLUE
<b>OBSOLETE</b>	504649-7
<b>OBSOLETE</b>	YELLOW
<b>OBSOLETE</b>	504649-6
<b>OBSOLETE</b>	YELLOW
<b>OBSOLETE</b>	504649-5
<b>OBSOLETE</b>	YELLOW
<b>OBSOLETE</b>	504649-4
<b>OBSOLETE</b>	YELLOW
<b>OBSOLETE</b>	504649-3
<b>OBSOLETE</b>	BLUE
<b>OBSOLETE</b>	504649-2
<b>OBSOLETE</b>	BLUE
<b>OBSOLETE</b>	504649-1

<p>DATE: 07JUL2004</p> <p>BY: B. BRIGGS</p> <p>CHK: S. BUCHTER</p> <p>APPD: S. BUCHTER</p>	<p>NAME: S. BUCHTER</p> <p>DATE: 07JUL2004</p>	<p>TYCO ELECTRONICS CORPORATION</p> <p>Shanghai, China</p>
<p>DIMENSIONS: mm</p> <p>0 PLC ±</p> <p>1 PLC ±</p> <p>2 PLC ±</p> <p>3 PLC ±</p> <p>4 PLC ±</p> <p>ANGLES ±</p>	<p>PRODUCT SPEC</p> <p>APPLICATION SPEC</p> <p>WEIGHT</p>	<p>SHEET: A2</p> <p>CASE CODE: C-504649</p> <p>SCALE: 5:1</p>
<p>MATERIAL: -</p> <p>FINISH: -</p>	<p>CUSTOMER DRAWING</p>	<p>RESTRICTED TO: -</p>