

4

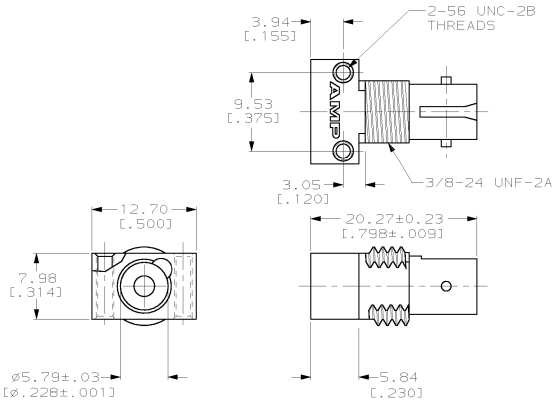
3

2

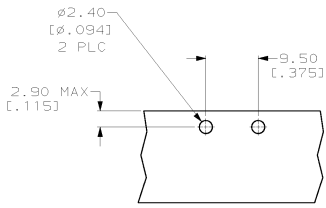
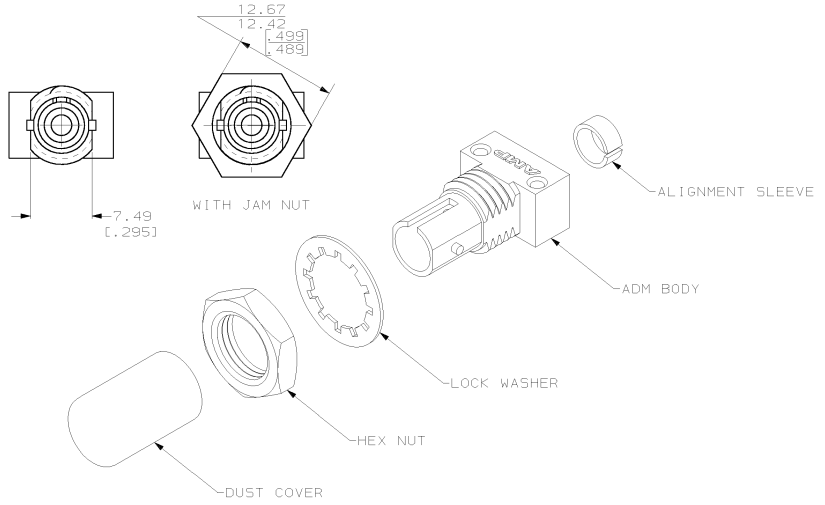
1

THIS DRAWING IS UNPUBLISHED. RELEASED FOR PUBLICATION
 (C) COPYRIGHT IS BY AMP INCORPORATED. ALL RIGHTS RESERVED.

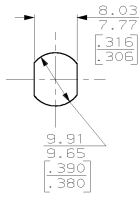
REV	DATE	BY	APP'D	DESCRIPTION
6	30/04/99	TG	LS	REDRAWN AND REV PER EC 0A00-0895-99



⚠ BULK PACKAGED IN QUANTITIES OF 50 PC.
 2. DIMENSIONS IN [] ARE IN INCHES.
 ⚠ KIT COMES WITH NO NUT, NO WASHER.



PC BOARD MOUNTING HOLE PATTERN



SUGGESTED PANEL CUTOUT

⚠	504022-5
⚠	504022-4
⚠	504022-3
⚠	504022-2
⚠	504022-1
PART NO	

THIS DRAWING IS A CONTROLLED DOCUMENT.		DATE	BY	APP'D	NAME
DIMENSIONS (IN INCHES)		9/24/92	E. HALLEY	9/20/92	P. YEAGER
MATERIAL		9/29/92	J. E. SHER		
FINISH					
WEIGHT					
CUSTOMER DRAWING					
APPLICATION SPEC					
PROJECT SPEC					
SCALE					
SHEET					
REV					
G					

AMP AMP Incorporated
Harrisburg, PA 17105-3608

KIT, ADM, STC

SIZE CASE CODE DRAWING NO RESTRICTED TO
 A2 00773 C-504022