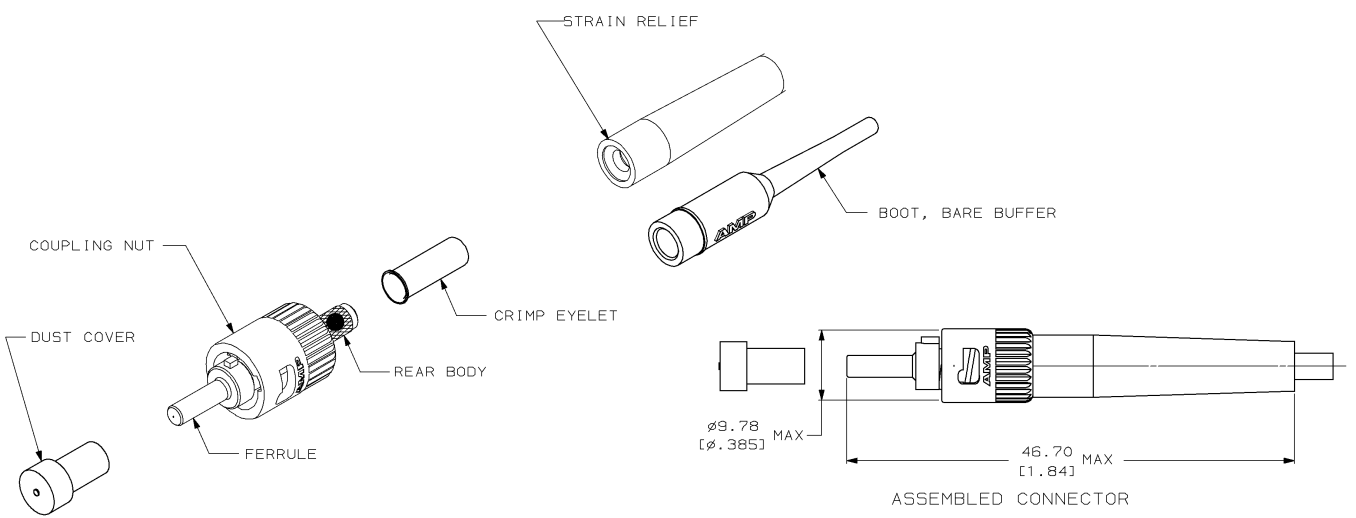


DRAWING MADE IN THIRD ANGLE PROJECTION
 THIS DRAWING IS UNPUBLISHED. RELEASED FOR PUBLICATION
 © COPYRIGHT 19 BY AMP INCORPORATED. ALL INTERNATIONAL RIGHTS RESERVED.

LOC		DIST		REVISONS		DATE	APPD	
CE	16	P	F	ZONE	LTR	DESCRIPTION	DATE	APPD
						E REV PER 0A00-0317-98	16JUN98	JPM



MATERIAL:
 DUST COVER: POLYOLEFIN, COLOR, BLACK
 FERRULE: CERAMIC
 COUPLING NUT: ZINC
 REAR BODY: THERMOPLASTIC, COLOR, BLACK
 CRIMP EYELET: COPPER ALLOY

FINISH:
 CRIMP EYELET: TIN PLATE
 COUPLING NUT: NICKEL PLATED
 STRAIN RELIEF: POLYOLEFIN, COLOR, BLACK
 BARE BUFFER BOOT: THERMOPLASTIC ELASTOMER
 BULK PACKAGED

△ BARE BUFFER BOOT	125±2μm	503677-3
△ STRN RELIEF W/EYELET	125±2μm	503677-2
△ STRN RELIEF W/EYELET	125±2μm	503677-1
STRAIN RELIEF STYLE	FIBER SIZE	PART NUMBER

DO NOT SCALE PRINT. UNLESS SPECIFIED DIMENSIONS IN mm [INCHES] TOLERANCES ON + 2 PLC DEC # — 3 PLC DEC # — ANGLES # —	DR 5-13-93 P YEAGER CHK 5-13-93 S BUCHTER APPD 5-13-93 S BUCHTER	AMP AMP INCORPORATED Herzogenrath, Pa. 17105	
MATERIAL △3△4△6	PRODUCT SPEC —	NAME CONNECTOR KIT, BAYONET CERAMIC OVERMOLD	
FINISH △2	APPLICATION SPEC —	SIZE C	FSCM NO 00779
	WEIGHT —	DRAWING NO 503677	SHEET 1 OF 1

METRIC

CUSTOMER DRAWING