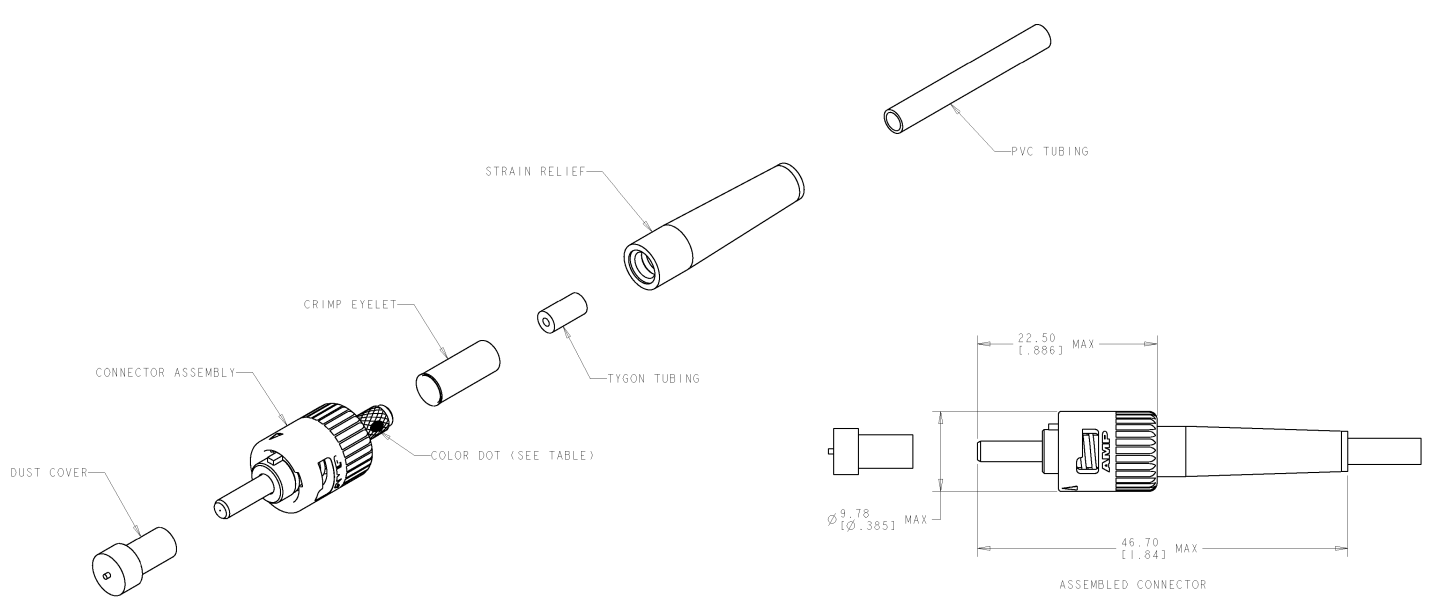


REV	DATE	BY	CHKD	DESCRIPTION
H	31JUL00	TA	SD	REV PER 0A00-0549-00
J	27MAR2001	RCF	MH	REV PER 0UB0-0213-01
K	08NOV2001	RCF	SB	REV PER 0A00-0432-01
L	17JUN2002	JWD	SD	REV PER 0A00-0348-02



1. DIMENSIONS IN [ ] ARE IN INCHES.
- ⚠ BODY: BRASS.  
CAPILLARY: ZIRCONIA (Z<sub>2</sub>O<sub>2</sub>).  
COUPLING NUT: ZINC OR THERMOPLASTIC.  
STRAIN RELIEF: THERMOPLASTIC ELASTOMER.
  - ⚠ BODY: ELECTROLESS NICKEL.  
COUPLING NUT: ELECTROLESS NICKEL.
  - ⚠ BULK PACKAGE (1000 PCS).

OBsolete	Material	Capillary Size	Color	Fiber	Part Number
OBsolete	PLASTIC	3.0mm	YELLOW	RED	126 μm 502580-6
OBsolete	METAL	2.0mm	YELLOW	RED	126 μm 502580-5
⚠	METAL	3.0mm	YELLOW	RED	126 μm 502580-4
OBsolete	METAL	3.0mm	YELLOW	BLUE	127 μm 502580-3
⚠	METAL	3.0mm	YELLOW	RED	126 μm 502580-2
OBsolete	METAL	3.0mm	YELLOW	YELLOW	125 μm 502580-1

TOP DRAWING CONTROL	DAN MILLER 02JUL00	TYCO ELECTRONICS
DESIGNED BY	B. SCHAEFFER 02JUL00	Harrisburg, PA 17105-3608
APPROVED BY	FRERIEF 02JUL00	
DIMENSIONS:	mm	
MATERIAL:	2	
FINISH:	3	
PRODUCT SPEC:		
APPLICATION SPEC:		
WEIGHT:		
CUSTOMER DRAWING	SCALE 3:1	SHEET OF REV