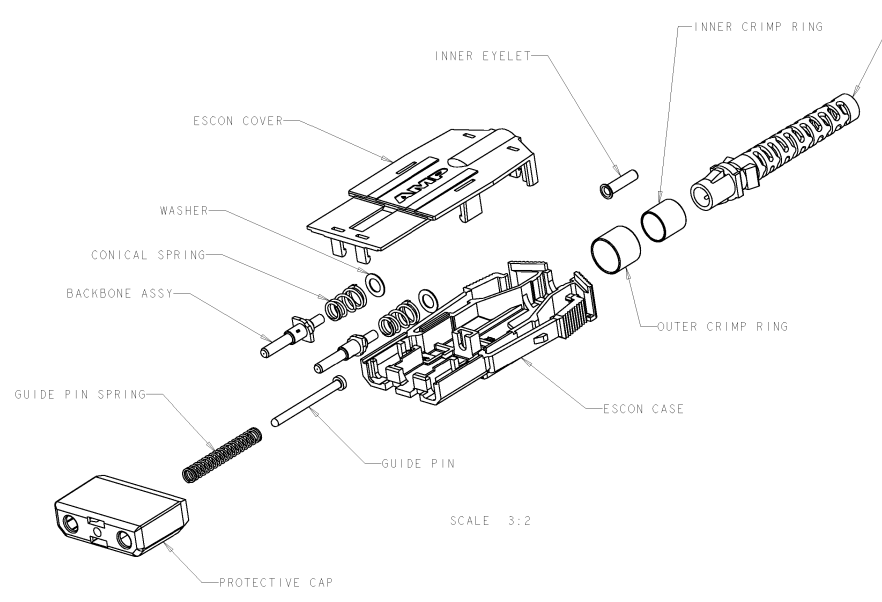
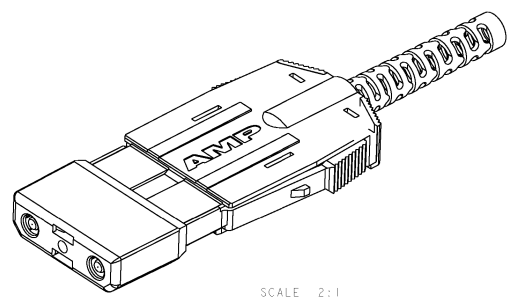
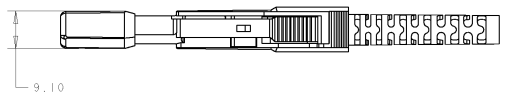
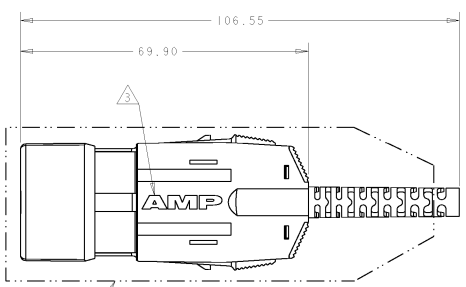


LOC	QTY	REVISIONS	DATE	BY	APPR
CE	16	7 LFK			
		B REVISED PER DA00-1013-00	15NOV2004	TA	SB



- ⚠ BULK PACKAGED, 50 PER PACKAGE.
- ⚠ CLAM SHELL DUST COVER SUPPLIED WITH KIT.
- ⚠ NO AMP LOGO.



492181-3
492181-2
492181-1
PART NUMBER

<small>THIS DRAWING IS UNPUBLISHED. RELEASED FOR PUBLICATION. ALL RIGHTS RESERVED. FOR INFORMATION ONLY. CONTACT THE ORIGINAL SUPPLIER FOR THE LATEST REVISION.</small>		ENG: R. HILLEMANN 20-Nov-96 DRT: T. BARKUS 10-20-96 APP: R. MONIZAT 10-20-96	AMP Incorporated Harrisburg, PA 17105-3608
DIMENSIONS: mm TOLERANCES UNLESS OTHERWISE SPECIFIED: 0 PLC .5 1 PLC .5 2 PLC .5 3 PLC .5 4 PLC .5 5 PLC .5 6 PLC .5 7 PLC .5 8 PLC .5 9 PLC .5 10 PLC .5 11 PLC .5 12 PLC .5 13 PLC .5 14 PLC .5 15 PLC .5 16 PLC .5 17 PLC .5 18 PLC .5 19 PLC .5 20 PLC .5 21 PLC .5 22 PLC .5 23 PLC .5 24 PLC .5 25 PLC .5 26 PLC .5 27 PLC .5 28 PLC .5 29 PLC .5 30 PLC .5 31 PLC .5 32 PLC .5 33 PLC .5 34 PLC .5 35 PLC .5 36 PLC .5 37 PLC .5 38 PLC .5 39 PLC .5 40 PLC .5 41 PLC .5 42 PLC .5 43 PLC .5 44 PLC .5 45 PLC .5 46 PLC .5 47 PLC .5 48 PLC .5 49 PLC .5 50 PLC .5 51 PLC .5 52 PLC .5 53 PLC .5 54 PLC .5 55 PLC .5 56 PLC .5 57 PLC .5 58 PLC .5 59 PLC .5 60 PLC .5 61 PLC .5 62 PLC .5 63 PLC .5 64 PLC .5 65 PLC .5 66 PLC .5 67 PLC .5 68 PLC .5 69 PLC .5 70 PLC .5 71 PLC .5 72 PLC .5 73 PLC .5 74 PLC .5 75 PLC .5 76 PLC .5 77 PLC .5 78 PLC .5 79 PLC .5 80 PLC .5 81 PLC .5 82 PLC .5 83 PLC .5 84 PLC .5 85 PLC .5 86 PLC .5 87 PLC .5 88 PLC .5 89 PLC .5 90 PLC .5 91 PLC .5 92 PLC .5 93 PLC .5 94 PLC .5 95 PLC .5 96 PLC .5 97 PLC .5 98 PLC .5 99 PLC .5 100 PLC .5	PRODUCT SPEC: - APPLICATION SPEC: - WEIGHT: - FINISH: -	AMP ESCON CONNECTOR KIT, DUALAN SIZE: A2 CASE CODE: 100779 DRAWING NO: C=492181 RESTRICTED TO: -	
MATERIAL: -		CUSTOMER DRAWING	SCALE: 2:1 SHEET: 1 OF 1 REV: B