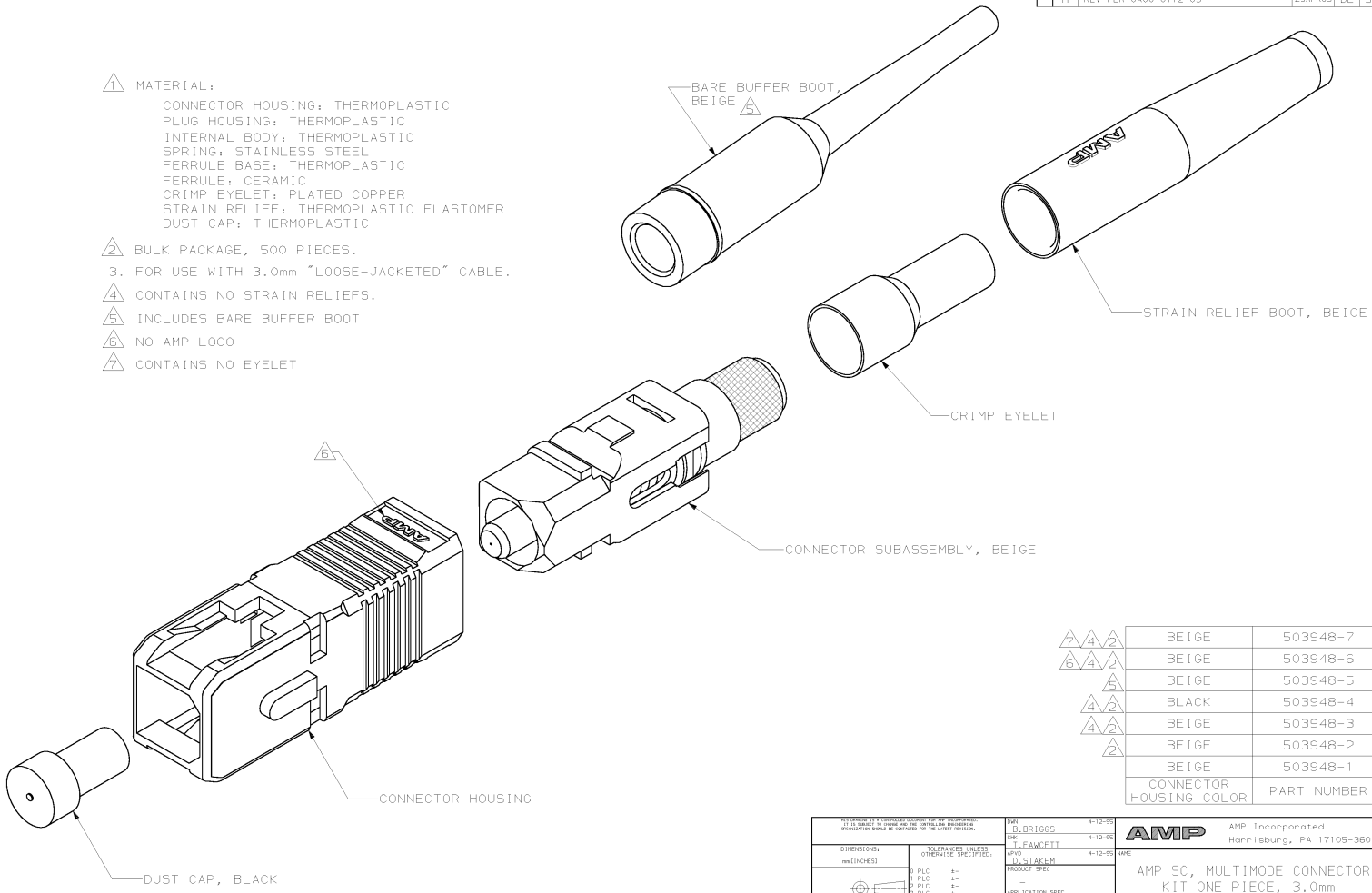


4 3 2 1

THIS DRAWING IS UNPUBLISHED. RELEASED FOR PUBLICATION. BY AMP INCORPORATED. ALL RIGHTS RESERVED.

| LOC | DIST | REVISIONS | | | | | |
|-----|------|-----------|---------|--------------|---------|------|----|
| CE | 16 | F | LTR | DATE | ENK | APPD | |
| | | H | REV PER | 0A00-0172-03 | 23APR03 | DE | SB |

- MATERIAL:**
 CONNECTOR HOUSING; THERMOPLASTIC
 PLUG HOUSING; THERMOPLASTIC
 INTERNAL BODY; THERMOPLASTIC
 SPRING; STAINLESS STEEL
 FERRULE BASE; THERMOPLASTIC
 FERRULE; CERAMIC
 CRIMP EYELET; PLATED COPPER
 STRAIN RELIEF; THERMOPLASTIC ELASTOMER
 DUST CAP; THERMOPLASTIC
- △ BULK PACKAGE, 500 PIECES.
 - 3. FOR USE WITH 3.0mm "LOOSE-JACKETED" CABLE.
 - △ CONTAINS NO STRAIN RELIEFS.
 - △ INCLUDES BARE BUFFER BOOT
 - △ NO AMP LOGO
 - △ CONTAINS NO EYELET



| CONNECTOR HOUSING COLOR | PART NUMBER |
|-------------------------|-------------|
| △△△ BEIGE | 503948-7 |
| △△△ BEIGE | 503948-6 |
| △△△ BEIGE | 503948-5 |
| △△△ BLACK | 503948-4 |
| △△△ BEIGE | 503948-3 |
| △△△ BEIGE | 503948-2 |
| △△△ BEIGE | 503948-1 |

| | | | |
|---|--|---|--|
| <small>NOT RECOMMENDED FOR USE IN APPLICATIONS WHERE THE FOLLOWING QUALIFICATION SHALL BE REQUIRED FOR THE USER'S PROTECTION.</small> | | DATE: 4-12-95 BY: BL BELGES CHK: 4-12-95 T. FAWCETT DATE: 4-12-95 NAME: ID. STAGER PRODUCT SPEC: - APPLICATION SPEC: - HEIGHT: - CUSTOMER DRAWING: - | AMP AMP Incorporated Harrisburg, PA 17105-3608 AMP SC, MULTIMODE CONNECTOR KIT ONE PIECE, 3.0mm SIZE: A2 PAGE CODE: 00779 DRAWING NO: C-503948 SCALE: NTS SHEET: 1 OF 1 REV: H |
| DIMENSIONS (mm (INCHES)) DIMENSIONS CONTROLLED (DIMENSIONS UNCONTROLLED) DIMENSIONS TOLERANCES (DIMENSIONS UNCONTROLLED) DIMENSIONS TOLERANCES (DIMENSIONS UNCONTROLLED) | DIMENSIONS TOLERANCES (DIMENSIONS UNCONTROLLED) DIMENSIONS TOLERANCES (DIMENSIONS UNCONTROLLED) DIMENSIONS TOLERANCES (DIMENSIONS UNCONTROLLED) DIMENSIONS TOLERANCES (DIMENSIONS UNCONTROLLED) | MATERIAL: △ FINISH: - | MATERIAL: △ FINISH: - |

503948