

4

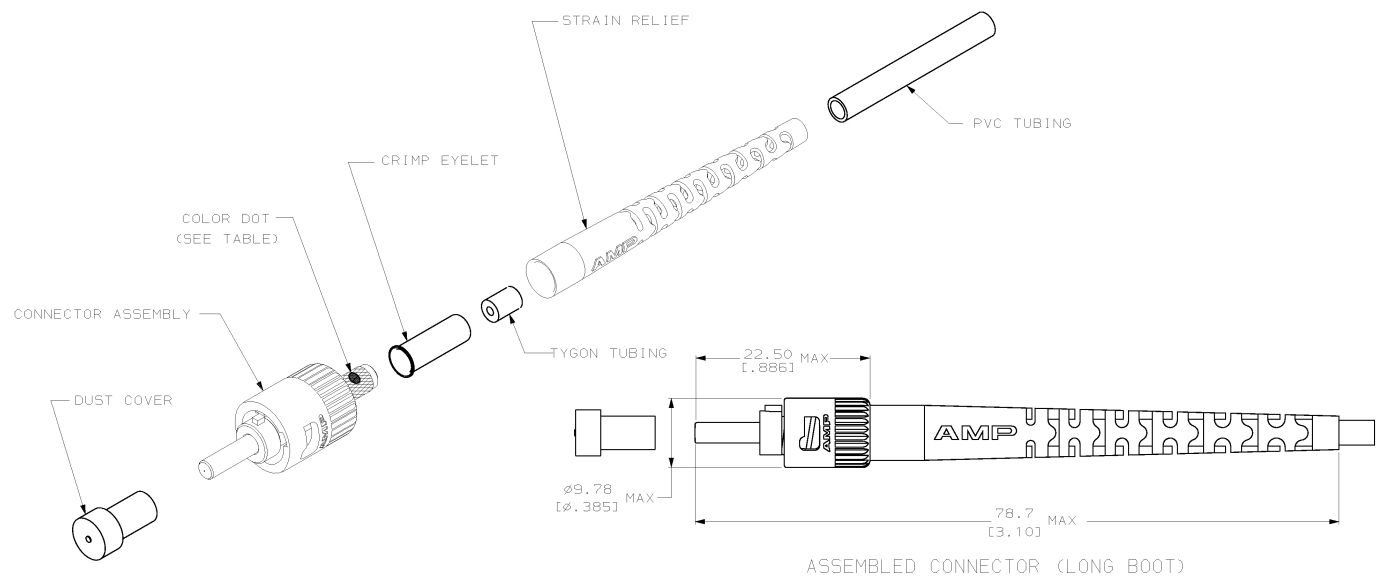
3

2

1

THIS DRAWING IS UNPUBLISHED.
 © COPYRIGHT 19 BY AMP INCORPORATED. ALL RIGHTS RESERVED.

LOC	QTY	REV PER	DESCRIPTION	DATE	BY	APPD
CE	16	J	REV PER 0A00-0348-02	17JUN02	JWD	SB



ASSEMBLED CONNECTOR (LONG BOOT)

1. DIMENSIONS IN [] ARE IN INCHES.
- △ BODY: BRASS
 - △ CAPILLARY: ZIRCONIA (ZrO₂)
 - △ COUPLING NUT: ZINC
 - △ STRAIN RELIEF: THERMOPLASTIC
 - △ BODY: ELECTROLESS NICKEL
 - △ COUPLING NUT: ELECTROLESS NICKEL

OBSOLETE	RED	126 μm	502579-4
OBSOLETE	YELLOW	127 μm	502579-3
OBSOLETE	YELLOW	126 μm	502579-2
OBSOLETE	YELLOW	125 μm	502579-1

THIS DRAWING IS A CONTROLLED DOCUMENT.		DATE	7-2-90	AMP Incorporated Harrisburg, PA 17105-3608
DRAWN BY		N. MILLER	7-2-90	
CHECKED BY		S. SCHAFER	7-2-90	
DESIGNED BY		J. SCHAFER	7-2-90	
DIMENSIONS		UNIT	MM	NAME CONNECTOR KIT, SINGLEMODE, 2.5mm BAYONET, OPTIMATE
DIMENSIONS		UNIT	MM	
MATERIAL		FINISH	△	TITLE CASE CODE DRAWING NO. RETWMT A200779 C-502579
CUSTOMER DRAWING		SCALE	NTS	RESTRICTED TO SHEET 1 OF 1 REV J