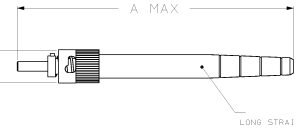
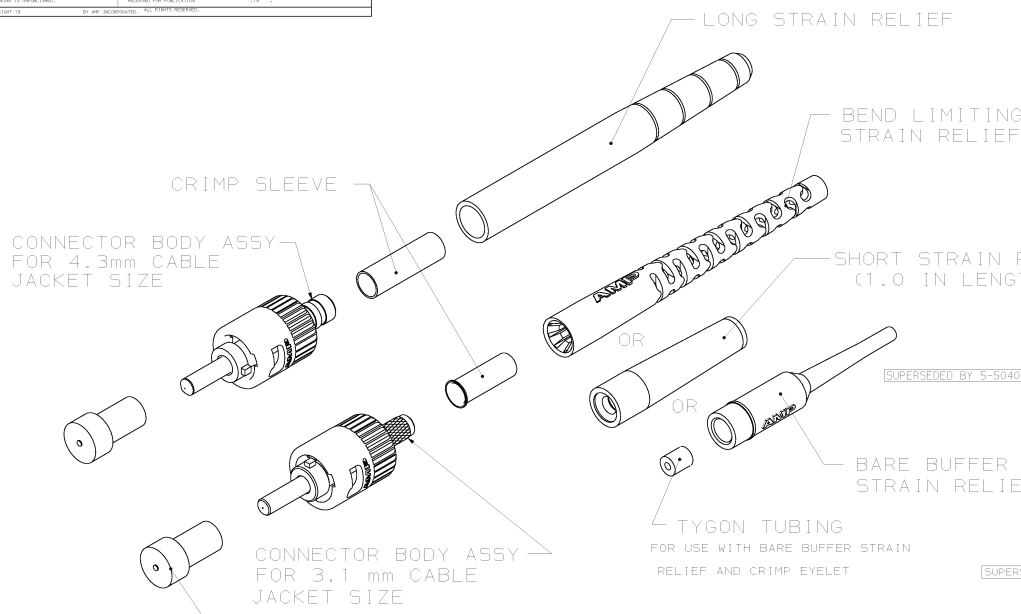


REV	DATE	REVISIONS	BY	CHK	APP
16	Y	REV PER DA00-0001-01			



DESCRIPTION	A MAX
LONG STRAIN RELIEF	73.7(2.90)
BEND LIMITING STRAIN RELIEF	77.6(3.06)
SHORT STRAIN RELIEF (1.0 IN)	48.8(1.92)
BARE BUFFER STRAIN RELIEF	56.6(2.23)

- 1 BULK PACKAGED
- 2 FLAT END FACE
- 3 RADIUS END FACE
- 4 BARE BUFFER STRAIN RELIEF, 900µm
- 5 BEND LIMITING STRAIN RELIEF (BLACK)
- 6 SHORT STRAIN RELIEF (1.0 INCH LENGTH) (BLACK)
- 7 BEND LIMITING STRAIN RELIEF (RED)
- 8 BEND LIMITING STRAIN RELIEF (BLUE)

- 9 NO STRAIN RELIEF
  - 10 SHORT STRAIN RELIEF (1.0 INCH LG) (BLUE)
  - 11 LONG STRAIN RELIEF (BLACK)
  - 12 BEND LIMITING STRAIN RELIEF (BLUE, NO LOGO)
14. ALL KITS FOR 3.1mm MAX CABLE OD USE INSTRUCTION SHEET 408-4151.  
 15. ALL KITS FOR 4.3mm MAX CABLE OD USE INSTRUCTION SHEET 408-4162.

REV	DATE	REVISIONS	BY	CHK	APP
1					
2					
3					
4					
5					
6					
7					
8					
9					
10					
11					
12					
13					
14					
15					
16					
17					
18					
19					
20					
21					
22					
23					
24					
25					
26					
27					
28					
29					
30					
31					
32					
33					
34					
35					
36					
37					
38					
39					
40					
41					
42					
43					
44					
45					
46					
47					
48					
49					
50					
51					
52					
53					
54					
55					
56					
57					
58					
59					
60					
61					
62					
63					
64					
65					
66					
67					
68					
69					
70					
71					
72					
73					
74					
75					
76					
77					
78					
79					
80					
81					
82					
83					
84					
85					
86					
87					
88					
89					
90					
91					
92					
93					
94					
95					
96					
97					
98					
99					
100					

MAX CABLE O.D.	HOLE SIZE	PART NUMBER
3.1mm	1.25mm	5-504008-4
3.1mm	500µm	5-504008-3
3.1mm	400µm	5-504008-2
3.1mm	267µm	5-504008-1
3.1mm	125µm	5-504008-0
3.1mm	140µm	4-504008-9
3.1mm	140µm	4-504008-8
3.1mm	140µm	4-504008-7
3.1mm	280µm	4-504008-6
4.3mm	600µm	4-504008-5
3.1mm	435µm	4-504008-4
3.1mm	250µm	4-504008-3
3.1mm	160µm	4-504008-2
3.1mm	231µm	4-504008-1
3.1mm	125µm	4-504008-0
3.1mm	220µm	3-504008-9
3.1mm	280µm	3-504008-8
3.1mm	125µm	3-504008-7
3.1mm	140µm	3-504008-6
4.3mm	240µm	3-504008-5
3.1mm	231µm	3-504008-4
4.3mm	0.042 in	3-504008-3
3.1mm	640µm	3-504008-2
3.1mm	335µm	3-504008-1
3.1mm	140µm	3-504008-0
3.1mm	125µm	2-504008-9
3.1mm	140µm	2-504008-8
3.1mm	125µm	2-504008-7
3.1mm	125µm	2-504008-6
3.1mm	125µm	2-504008-5
3.1mm	125µm	2-504008-4
3.1mm	125µm	2-504008-3
3.1mm	125µm	2-504008-2
3.1mm	125µm	2-504008-1
3.1mm	125µm	2-504008-0
3.1mm	125µm	1-504008-9
3.1mm	125µm	1-504008-8
3.1mm	125µm	1-504008-7
4.3mm	410µm	1-504008-6
4.3mm	430µm	1-504008-5
3.1mm	231µm	1-504008-4
3.1mm	240µm	1-504008-3
3.1mm	125µm	1-504008-2
3.1mm	125µm	1-504008-1
3.1mm	125µm	1-504008-0
3.1mm	125µm	504008-9
4.3mm	140µm	504008-8
3.1mm	140µm	504008-7
3.1mm	140µm	504008-6
4.3mm	140µm	504008-5
4.3mm	140µm	504008-4
3.1mm	125µm	504008-3
4.3mm	125µm	504008-2
3.1mm	125µm	504008-1

THIS DRAWING IS A CONTROLLED DOCUMENT.		DC LEADER	DATE	AMP Incorporated Harrisburg, PA 17105-3608
INTENDED FOR:	INDUSTRY/DEFENSE	S. BUCKNER	2/20/00	
REV	BY	DATE	DESCRIPTION	REV
1	AMP	02/20/00	CONNECTOR KIT, 55T, 2, 5mm BAYONET, OPTIMATE	1
2	AMP	02/20/00	REVISED TO ADD 4.3mm MAX CABLE OD KIT	2
3	AMP	02/20/00	REVISED TO ADD 3.1mm MAX CABLE OD KIT	3
4	AMP	02/20/00	REVISED TO ADD 3.1mm MAX CABLE OD KIT WITH BARE BUFFER STRAIN RELIEF	4
5	AMP	02/20/00	REVISED TO ADD 3.1mm MAX CABLE OD KIT WITH BEND LIMITING STRAIN RELIEF (BLACK)	5
6	AMP	02/20/00	REVISED TO ADD 3.1mm MAX CABLE OD KIT WITH BEND LIMITING STRAIN RELIEF (RED)	6
7	AMP	02/20/00	REVISED TO ADD 3.1mm MAX CABLE OD KIT WITH BEND LIMITING STRAIN RELIEF (BLUE)	7
8	AMP	02/20/00	REVISED TO ADD 3.1mm MAX CABLE OD KIT WITH NO STRAIN RELIEF	8
9	AMP	02/20/00	REVISED TO ADD 3.1mm MAX CABLE OD KIT WITH SHORT STRAIN RELIEF (1.0 INCH LG) (BLUE)	9
10	AMP	02/20/00	REVISED TO ADD 3.1mm MAX CABLE OD KIT WITH LONG STRAIN RELIEF (BLACK)	10
11	AMP	02/20/00	REVISED TO ADD 3.1mm MAX CABLE OD KIT WITH BEND LIMITING STRAIN RELIEF (BLACK)	11
12	AMP	02/20/00	REVISED TO ADD 3.1mm MAX CABLE OD KIT WITH BEND LIMITING STRAIN RELIEF (BLACK)	12
13	AMP	02/20/00	REVISED TO ADD 3.1mm MAX CABLE OD KIT WITH BEND LIMITING STRAIN RELIEF (BLACK)	13
14	AMP	02/20/00	REVISED TO ADD 3.1mm MAX CABLE OD KIT WITH BEND LIMITING STRAIN RELIEF (BLACK)	14
15	AMP	02/20/00	REVISED TO ADD 3.1mm MAX CABLE OD KIT WITH BEND LIMITING STRAIN RELIEF (BLACK)	15
16	AMP	02/20/00	REVISED TO ADD 3.1mm MAX CABLE OD KIT WITH BEND LIMITING STRAIN RELIEF (BLACK)	16
17	AMP	02/20/00	REVISED TO ADD 3.1mm MAX CABLE OD KIT WITH BEND LIMITING STRAIN RELIEF (BLACK)	17
18	AMP	02/20/00	REVISED TO ADD 3.1mm MAX CABLE OD KIT WITH BEND LIMITING STRAIN RELIEF (BLACK)	18
19	AMP	02/20/00	REVISED TO ADD 3.1mm MAX CABLE OD KIT WITH BEND LIMITING STRAIN RELIEF (BLACK)	19
20	AMP	02/20/00	REVISED TO ADD 3.1mm MAX CABLE OD KIT WITH BEND LIMITING STRAIN RELIEF (BLACK)	20
21	AMP	02/20/00	REVISED TO ADD 3.1mm MAX CABLE OD KIT WITH BEND LIMITING STRAIN RELIEF (BLACK)	21
22	AMP	02/20/00	REVISED TO ADD 3.1mm MAX CABLE OD KIT WITH BEND LIMITING STRAIN RELIEF (BLACK)	22
23	AMP	02/20/00	REVISED TO ADD 3.1mm MAX CABLE OD KIT WITH BEND LIMITING STRAIN RELIEF (BLACK)	23
24	AMP	02/20/00	REVISED TO ADD 3.1mm MAX CABLE OD KIT WITH BEND LIMITING STRAIN RELIEF (BLACK)	24
25	AMP	02/20/00	REVISED TO ADD 3.1mm MAX CABLE OD KIT WITH BEND LIMITING STRAIN RELIEF (BLACK)	25
26	AMP	02/20/00	REVISED TO ADD 3.1mm MAX CABLE OD KIT WITH BEND LIMITING STRAIN RELIEF (BLACK)	26
27	AMP	02/20/00	REVISED TO ADD 3.1mm MAX CABLE OD KIT WITH BEND LIMITING STRAIN RELIEF (BLACK)	27
28	AMP	02/20/00	REVISED TO ADD 3.1mm MAX CABLE OD KIT WITH BEND LIMITING STRAIN RELIEF (BLACK)	28
29	AMP	02/20/00	REVISED TO ADD 3.1mm MAX CABLE OD KIT WITH BEND LIMITING STRAIN RELIEF (BLACK)	29
30	AMP	02/20/00	REVISED TO ADD 3.1mm MAX CABLE OD KIT WITH BEND LIMITING STRAIN RELIEF (BLACK)	30
31	AMP	02/20/00	REVISED TO ADD 3.1mm MAX CABLE OD KIT WITH BEND LIMITING STRAIN RELIEF (BLACK)	31
32	AMP	02/20/00	REVISED TO ADD 3.1mm MAX CABLE OD KIT WITH BEND LIMITING STRAIN RELIEF (BLACK)	32
33	AMP	02/20/00	REVISED TO ADD 3.1mm MAX CABLE OD KIT WITH BEND LIMITING STRAIN RELIEF (BLACK)	33
34	AMP	02/20/00	REVISED TO ADD 3.1mm MAX CABLE OD KIT WITH BEND LIMITING STRAIN RELIEF (BLACK)	34
35	AMP	02/20/00	REVISED TO ADD 3.1mm MAX CABLE OD KIT WITH BEND LIMITING STRAIN RELIEF (BLACK)	35
36	AMP	02/20/00	REVISED TO ADD 3.1mm MAX CABLE OD KIT WITH BEND LIMITING STRAIN RELIEF (BLACK)	36
37	AMP	02/20/00	REVISED TO ADD 3.1mm MAX CABLE OD KIT WITH BEND LIMITING STRAIN RELIEF (BLACK)	37
38	AMP	02/20/00	REVISED TO ADD 3.1mm MAX CABLE OD KIT WITH BEND LIMITING STRAIN RELIEF (BLACK)	38
39	AMP	02/20/00	REVISED TO ADD 3.1mm MAX CABLE OD KIT WITH BEND LIMITING STRAIN RELIEF (BLACK)	39
40	AMP	02/20/00	REVISED TO ADD 3.1mm MAX CABLE OD KIT WITH BEND LIMITING STRAIN RELIEF (BLACK)	40
41	AMP	02/20/00	REVISED TO ADD 3.1mm MAX CABLE OD KIT WITH BEND LIMITING STRAIN RELIEF (BLACK)	41
42	AMP	02/20/00	REVISED TO ADD 3.1mm MAX CABLE OD KIT WITH BEND LIMITING STRAIN RELIEF (BLACK)	42
43	AMP	02/20/00	REVISED TO ADD 3.1mm MAX CABLE OD KIT WITH BEND LIMITING STRAIN RELIEF (BLACK)	43
44	AMP	02/20/00	REVISED TO ADD 3.1mm MAX CABLE OD KIT WITH BEND LIMITING STRAIN RELIEF (BLACK)	44
45	AMP	02/20/00	REVISED TO ADD 3.1mm MAX CABLE OD KIT WITH BEND LIMITING STRAIN RELIEF (BLACK)	45
46	AMP	02/20/00	REVISED TO ADD 3.1mm MAX CABLE OD KIT WITH BEND LIMITING STRAIN RELIEF (BLACK)	46
47	AMP	02/20/00	REVISED TO ADD 3.1mm MAX CABLE OD KIT WITH BEND LIMITING STRAIN RELIEF (BLACK)	47
48	AMP	02/20/00	REVISED TO ADD 3.1mm MAX CABLE OD KIT WITH BEND LIMITING STRAIN RELIEF (BLACK)	48
49	AMP	02/20/00	REVISED TO ADD 3.1mm MAX CABLE OD KIT WITH BEND LIMITING STRAIN RELIEF (BLACK)	49
50	AMP	02/20/00	REVISED TO ADD 3.1mm MAX CABLE OD KIT WITH BEND LIMITING STRAIN RELIEF (BLACK)	50