

4

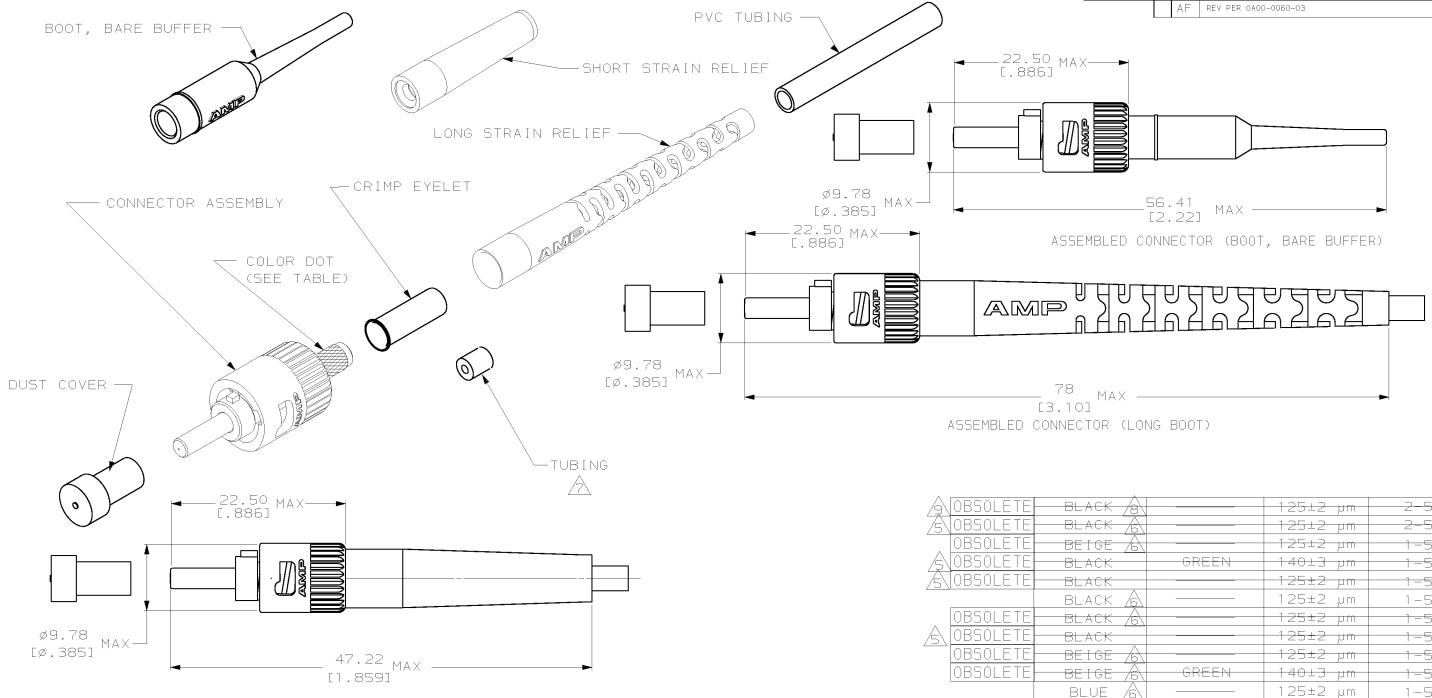
3

2

1

THIS DRAWING IS UNCLASSIFIED
RELEASING FOR PUBLICATION
BY AMP INCORPORATED. ALL RIGHTS RESERVED.

REV. NO.		DATE		DESCRIPTION		BY	CHKD	APPD
16	CE	07MAR03				AF	DDE	SB
REV PER 0400-0060-03								



- DIMENSIONS IN [] ARE IN INCHES.
 - INSTRUCTION SHEET 408-9645.
- BODY: ELECTROLESS NICKEL
COUPLING NUT: ELECTROLESS NICKEL
 - BODY: BRASS
CAPILLARY: ZIRCONIUM OXIDE (ZrO₂)
COUPLING NUT: ZINC
STRAIN RELIEF: THERMOPLASTIC
 - BULK PACKAGED
 - SHORT BOOT
 - CLEAR TUBING USED ONLY ON 900µm BUFFERED FIBER FIBER WITHOUT STRENGTH MEMBERS.
 - BARE BUFFER (900µm) BOOT
 - PVC TUBING NOT INCLUDED

STATUS	COLOR	STRIP	STRIP COLOR	FIBER SIZE	PART NO.
OBSOLETE	BLACK			125±2 µm	2-501380-1
OBSOLETE	BLACK			125±2 µm	2-501380-0
OBSOLETE	BEIGE			125±2 µm	1-501380-9
OBSOLETE	BLACK	GREEN		140±3 µm	1-501380-8
OBSOLETE	BLACK			125±2 µm	1-501380-7
OBSOLETE	BLACK			125±2 µm	1-501380-6
OBSOLETE	BLACK			125±2 µm	1-501380-5
OBSOLETE	BLACK			125±2 µm	1-501380-4
OBSOLETE	BEIGE			125±2 µm	1-501380-3
OBSOLETE	BEIGE	GREEN		140±3 µm	1-501380-2
OBSOLETE	BLUE			125±2 µm	1-501380-1
OBSOLETE	BEIGE	GREEN		140±3 µm	1-501380-0
OBSOLETE	BLUE			125±2 µm	501380-9
OBSOLETE	RED	GREEN		140±3 µm	501380-8
OBSOLETE	RED			125±2 µm	501380-7
OBSOLETE	BLACK	GREEN		140±3 µm	501380-6
OBSOLETE	BLACK			125±2 µm	501380-5
OBSOLETE	BEIGE	GREEN		140±3 µm	501380-4
OBSOLETE	BEIGE			125±2 µm	501380-3
OBSOLETE	BLACK	GREEN		140±3 µm	501380-2
OBSOLETE	BLACK			125±2 µm	501380-1

THIS DRAWING IS A CONTROLLED DOCUMENT.		DATE	5-3-88		AMP Incorporated
		BY	5-4-88		Harrisburg, PA 17105-3608
DRAWINGS	TOLERANCES UNLESS OTHERWISE SPECIFIED:	BY	5-4-88	CONNECTOR KIT, 2.5mm BAYONET, OPTIMATE	
1. RLC	±.0005	BY	5-4-88	SIZE	CASE CODE DRAWING NO.
2. RLC	±.001	BY	5-4-88	108-1492	A200779C-501380
3. RLC	±.002	BY	5-4-88	APPROVED	RESTRICTED TO
4. RLC	±.005	BY	5-4-88	APPLICATOR SPEC	
MATERIAL	FINISH	WEIGHT		SCALE	1 of 1
				2:1	REV AF