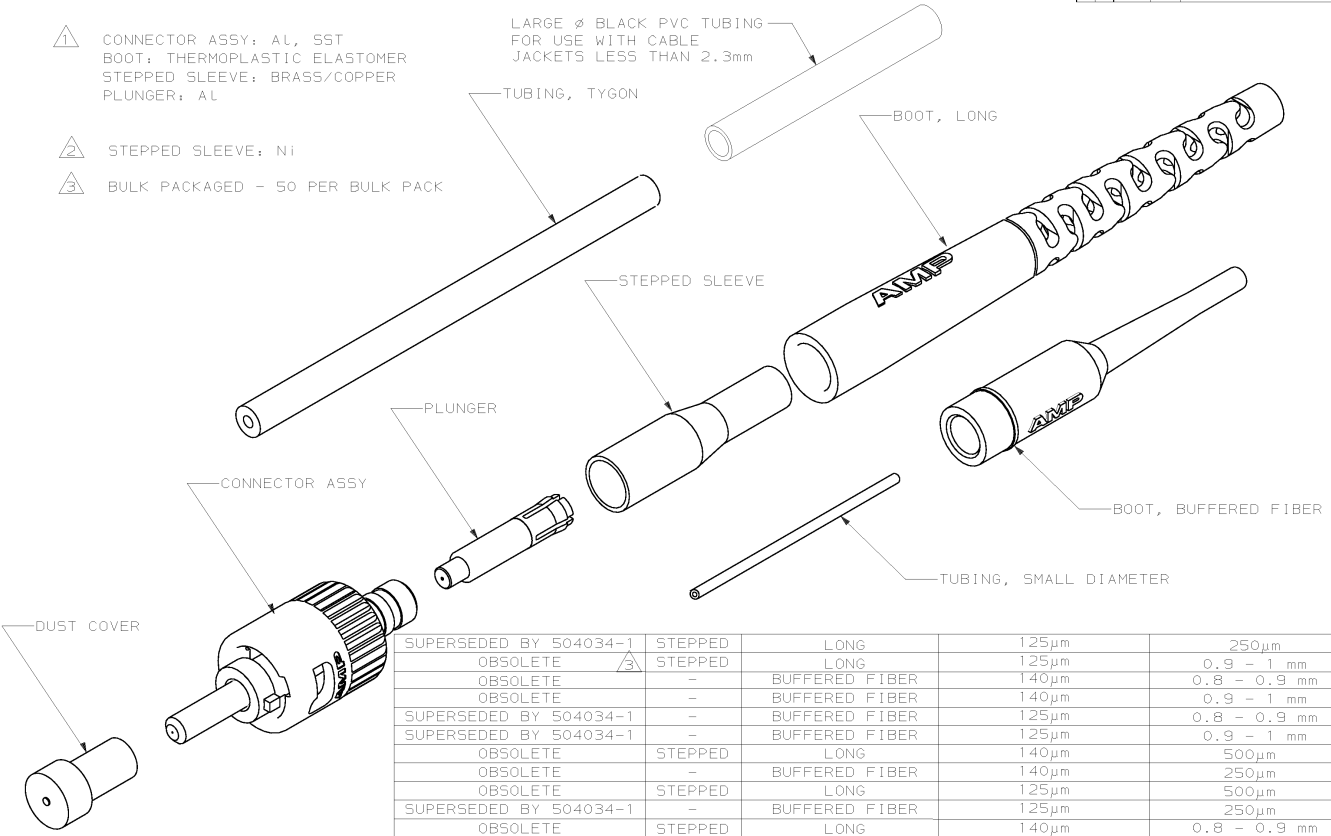


- ⚠ CONNECTOR ASSY: AL, SST
 BOOT: THERMOPLASTIC ELASTOMER
 STEPPED SLEEVE: BRASS/COPPER
 PLUNGER: AL
- ⚠ STEPPED SLEEVE: NI
- ⚠ BULK PACKAGED - 50 PER BULK PACK

LARGE Ø BLACK PVC TUBING FOR USE WITH CABLE JACKETS LESS THAN 2.3mm



SUPERSEDED BY 504034-1	STEPPED	LONG	125µm	250µm	1-504034-4
OBSOLETE	STEPPED	LONG	125µm	0.9 - 1 mm	1-504034-3
OBSOLETE	-	BUFFERED FIBER	140µm	0.8 - 0.9 mm	1-504034-2
OBSOLETE	-	BUFFERED FIBER	140µm	0.9 - 1 mm	1-504034-1
SUPERSEDED BY 504034-1	-	BUFFERED FIBER	125µm	0.8 - 0.9 mm	1-504034-0
SUPERSEDED BY 504034-1	-	BUFFERED FIBER	125µm	0.9 - 1 mm	504034-9
OBSOLETE	STEPPED	LONG	140µm	500µm	504034-8
OBSOLETE	-	BUFFERED FIBER	140µm	250µm	504034-7
OBSOLETE	STEPPED	LONG	125µm	500µm	504034-6
SUPERSEDED BY 504034-1	-	BUFFERED FIBER	125µm	250µm	504034-5
OBSOLETE	STEPPED	LONG	140µm	0.8 - 0.9 mm	504034-4
OBSOLETE	STEPPED	LONG/BUFFERED	140µm	250µm/ 0.8 - 1.0 mm	504034-3
SUPERSEDED BY 504034-1	STEPPED	LONG	125µm	0.8 - 0.9 mm	504034-2
SUPERSEDED BY 504034-1	STEPPED	LONG/BUFFERED	125µm	250µm/ 0.8 - 1.0 mm	504034-1
	CRIMP SLEEVE	BOOT TYPE	FIBER SIZE	BUFFER SIZE	PART NO

DO NOT SCALE PRINT.
 UNLESS SPECIFIED
 DIMENSIONS IN mm (INCHES)
 TOLERANCES ON:
 2 PLC DEC # -
 3 PLC DEC # -
 ANGLES # -

DR 8-29-92
 D ERODMAN
 CHK 8-29-92
 8 EDWARDS
 APPD 9-21-92
 5 GRINDERSLEV
 APPD 8-29-92
 K MONROE

AMP AMP Incorporated
 Harrisburg, PA 17105-3608

NAME
 KIT, CONNECTOR,
 SST, 2.5mm BAYONET, XTC
 MULTIMODE

PRODUCT SPEC
 -

APPLICATION SPEC
 -

SIZE CAGE CODE DRAWING NO
 © 00779 ©=504034

WEIGHT - SCALE - SHEET 1 OF 1

THIS DRAWING IS A CONTROLLED DOCUMENT FOR AMP INCORPORATED. IT IS SUBJECT TO CHANGE AND THE CONTROLLING ENGINEERING ORGANIZATION SHOULD BE CONTACTED FOR THE LATEST REVISION.