

4

3

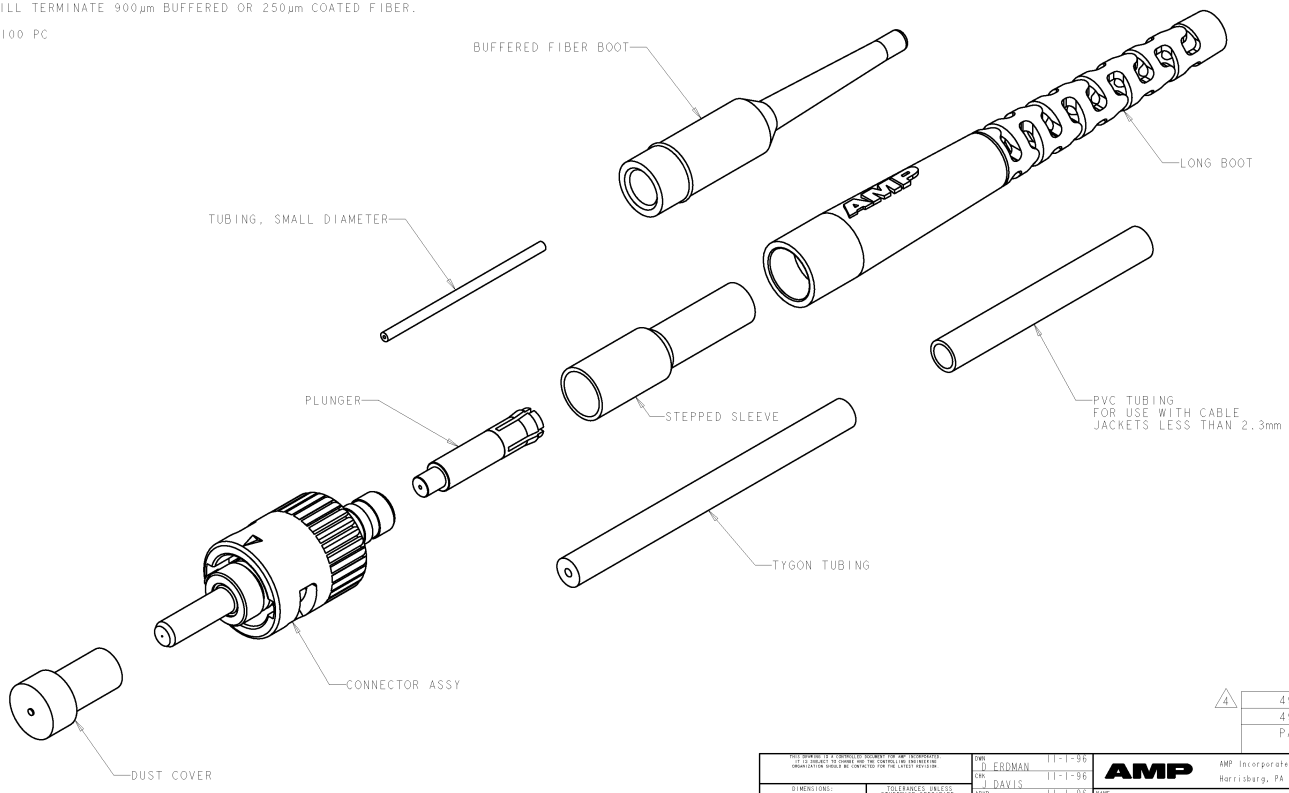
2

1

THIS DRAWING IS UNPUBLISHED  
(C) COPYRIGHT 14 BY AMP INCORPORATED ALL RIGHTS RESERVED

REV. NO.		REV. DATE		DESCRIPTION		DATE	BY	APP'D
CE	16	A	4-25-91	REV PER 0A00-0153-97			ODE	JD

- △ CONNECTOR ASSY: BODY AI, FERRULE POLYMER
- BOOTS: THERMOPLASTIC ELASTOMER
- STEPPED SLEEVE: COPPER
- PLUNGER: AI
- △ STEPPED SLEEVE: NI
- 3. THIS KIT WILL TERMINATE 900µm BUFFERED OR 250µm COATED FIBER.
- △ BULK PACK 100 PC



△	492168-2
	492168-1
	PART NO

<small>THIS DRAWING IS UNPUBLISHED EXCEPT FOR THE PORTION INDICATED BY THE DIMENSION LINE. ALL RIGHTS ARE RESERVED BY AMP INCORPORATED. REPRODUCTION OF THIS DRAWING WITHOUT THE WRITTEN PERMISSION OF AMP INCORPORATED IS PROHIBITED.</small>		DWG. NO. ERDMAN 11-1-96 CHK. DAVIS 11-1-96 APP'D. B. EDWARDS 11-1-96	<b>AMP</b> Incorporated Harrisburg, PA 17105-3400
DIMENSIONS: mm TOLERANCES UNLESS OTHERWISE SPECIFIED: 0 PLC ±.1 1 PLC ±0.1 2 PLC ±0.05 3 PLC ±0.025 4 PLC ±0.015 ANGLES R		PRODUCT SPEC. APPLICATION SPEC. WEIGHT CUSTOMER DRAWING	<b>CONNECTOR KIT, LightCrimp NeXTc, 125µm</b> SHEET CASE CODE DRAWING NO. RESTRICTED TO A200779 C-492168 SCALE 4:1 SHEET 1 OF 1 REV A