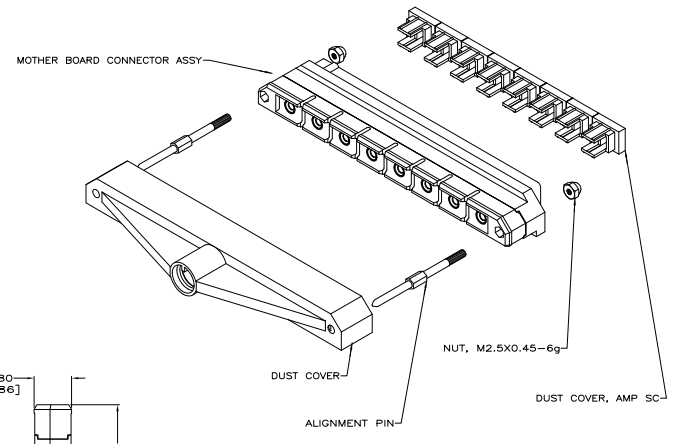
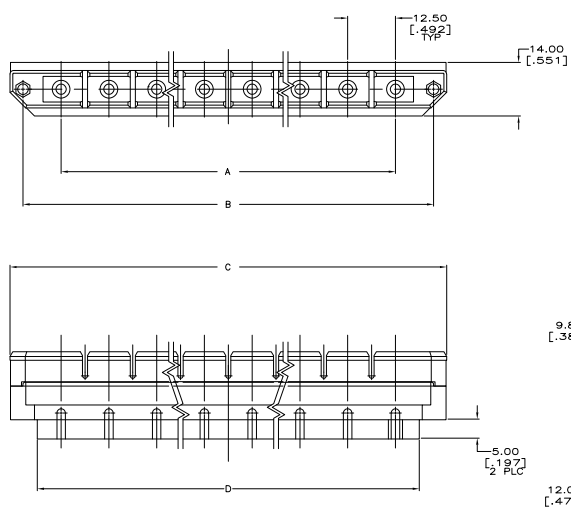
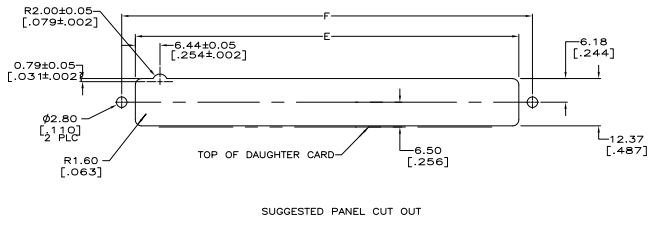


THIS DRAWING IS UNPUBLISHED. RECEIVED FOR REPRODUCTION  
 © 2016 BY TYS ELECTRONICS CORPORATION. ALL RIGHTS RESERVED.

REV	DATE	DESCRIPTION	BY	CHK	APP
16		NEW PRODUCT RELEASE	A		



1. DIMENSIONS IN [ ] ARE IN INCHES  
 MATERIAL: HOUSING; THERMOPLASTIC  
 DUST COVER; THERMOPLASTIC RUBBER  
 MOUNTING HARDWARE; STAINLESS STEEL



NO. OF POS.	PART NUMBER
1	5503682-4
2	5503682-3
4	5503682-2
8	5503682-1

THIS DRAWING IS A CONTROLLED DOCUMENT		REV	DATE	DESCRIPTION	BY	CHK	APP
REVISIONS		16		NEW PRODUCT RELEASE	A		
TYPICAL DIMENSIONS		TYS ELECTRONICS CORPORATION Harrisburg, PA 17105-3608					
CUSTOMER DRAWING		PART NUMBER		MOTHER BOARD KIT, LIGHTPLANE			
DATE		DRAWING NO.		REVISED TO			
A1		00779G=5503682					