

4

3

2

1

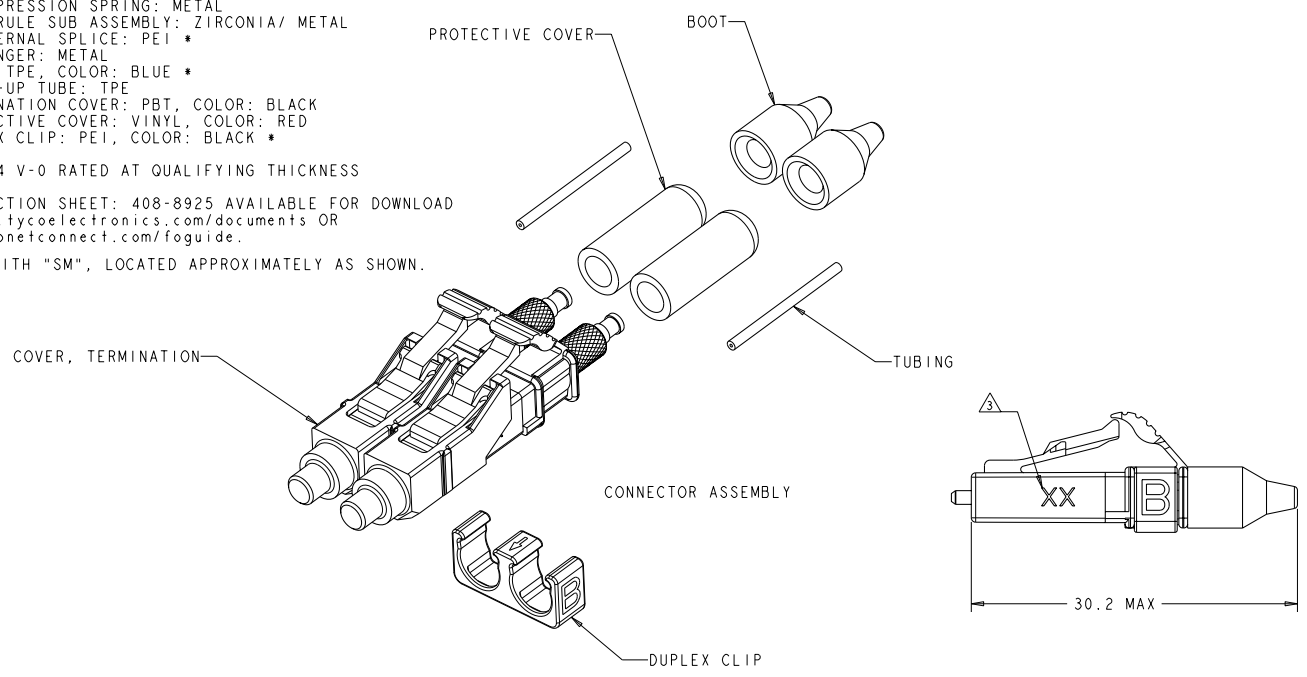
THIS DRAWING IS UNPUBLISHED. RELEASED FOR PUBLICATION BY TYCO ELECTRONICS CORPORATION. ALL RIGHTS RESERVED.

REV	DATE	BY	CHKD	APPROV
C	18DEC2008	DDE	CB	
C1	12MAR2009	BB	SB	
C2	08APR2009	KG	CB	

△ MATERIAL:
 CONNECTOR ASSEMBLY:
 CONNECTOR HOUSING: PPSU, COLOR: BLUE *
 REAR BODY: METAL
 COMPRESSION SPRING: METAL
 FERRULE SUB ASSEMBLY: ZIRCONIA/ METAL
 INTERNAL SPLICE: PEI *
 PLUNGER: METAL
 BOOT: TPE, COLOR: BLUE *
 BUILD-UP TUBE: TPE
 TERMINATION COVER: PBT, COLOR: BLACK
 PROTECTIVE COVER: VINYL, COLOR: RED
 DUPLEX CLIP: PEI, COLOR: BLACK *
 * UL94 V-0 RATED AT QUALIFYING THICKNESS

2. INSTRUCTION SHEET: 408-8925 AVAILABLE FOR DOWNLOAD
 AT www.tycoelectronics.com/documents OR
www.ompnetconnect.com/foguide.

△ MARK WITH "SM", LOCATED APPROXIMATELY AS SHOWN.



6754484-1
PART NO.

DIMENSIONS: mm		TO: ERDMAN 24JUN2004 CD: M GURRETI 24JUN2004 APD: B EDWARDS 24JUN2004		DW: D ERDMAN 24JUN2004 CD: M GURRETI 24JUN2004 APD: B EDWARDS 24JUN2004		Tyco Electronics Harrisburg, PA 17105-3608	
PRODUCT SPEC: APPLICATION SPEC: WEIGHT: FINISH:		NAME: KIT, CONNECTOR, LightCrimp Plus LC DUPLEX, SM 250-900um BUFFER		SHEET: A2 CASE CODE: 00779 DRAWING NO: 6754484		RESTRICTED TO: CUSTOMER DRAWING	
SCALE: 4:1		SHEET: 1 OF 1		REV: C2		DATE: 24JUN2004	