

4

3

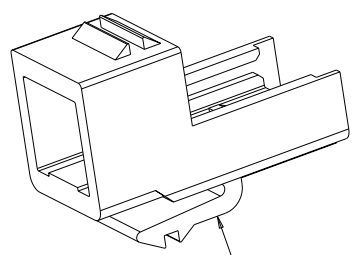
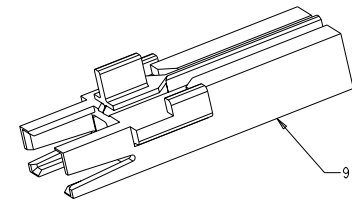
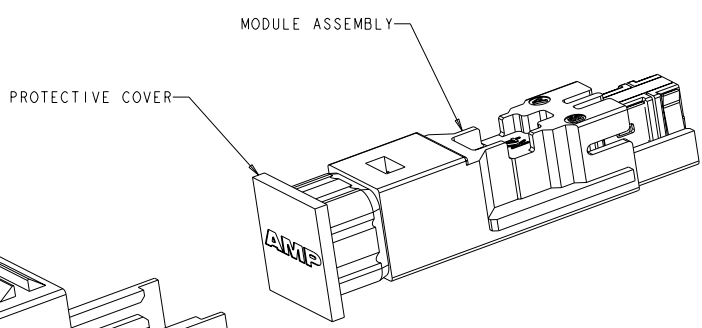
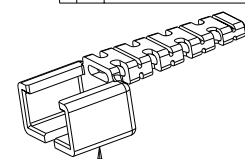
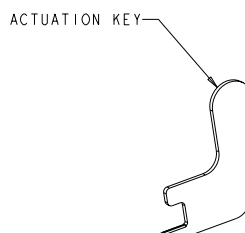
2

1

THIS DRAWING IS UNPUBLISHED. RELEASED FOR PUBLICATION  
 © COPYRIGHT IS BY TYCO ELECTRONICS CORPORATION. ALL RIGHTS RESERVED.

LOC		DIST		REVISIONS			
P	LYR	DESCRIPTION	DATE	BY	APPD		
A		REV PER ECR-06-003731	11/28/2006	BB	DK		

1. INSURE THAT THE WALL BOX IS AT LEAST 50.8mm (2.0 INCHES) DEEP, WHEN INSTALLING MT-RJ WORKSTATION JACK KIT.



SL JACK HOUSING

SLATE (K10)	1-6278811-0
ORANGE (K9)	6278811-9
VIOLET (K8)	6278811-8
BROWN (K7)	6278811-7
AQUA (K6)	6278811-6
ROSE (K5)	6278811-5
BLUE (K4)	6278811-4
GREEN (K3)	6278811-3
YELLOW (K2)	6278811-2
RED (K1)	6278811-1
DESCRIPTION	PART NUMBER

DIMENSIONS: mm		TOLERANCES UNLESS OTHERWISE SPECIFIED: 0 PLC ±.1 1 PLC ±.15 2 PLC ±.2 3 PLC ±.3 4 PLC ±.4 ANGLES ±.5 FINISH		DWN: D. BRIGGS, 02NOV2005 CHK: D. KIRSCH, 02NOV2005 APPR: S. BUCHTER, 07NOV2005		<b>AMP</b> AMP Incorporated Harrisburg, PA 17105-3600	
MATERIAL: -		WEIGHT: -		SIZE: A2 CASE CODE: 00779 DRAWING NO: 6278811		RESTRICTED TO: -	
CUSTOMER DRAWING		SCALE: 7:2		SHEET 1 OF 1		REV A	