

4

3

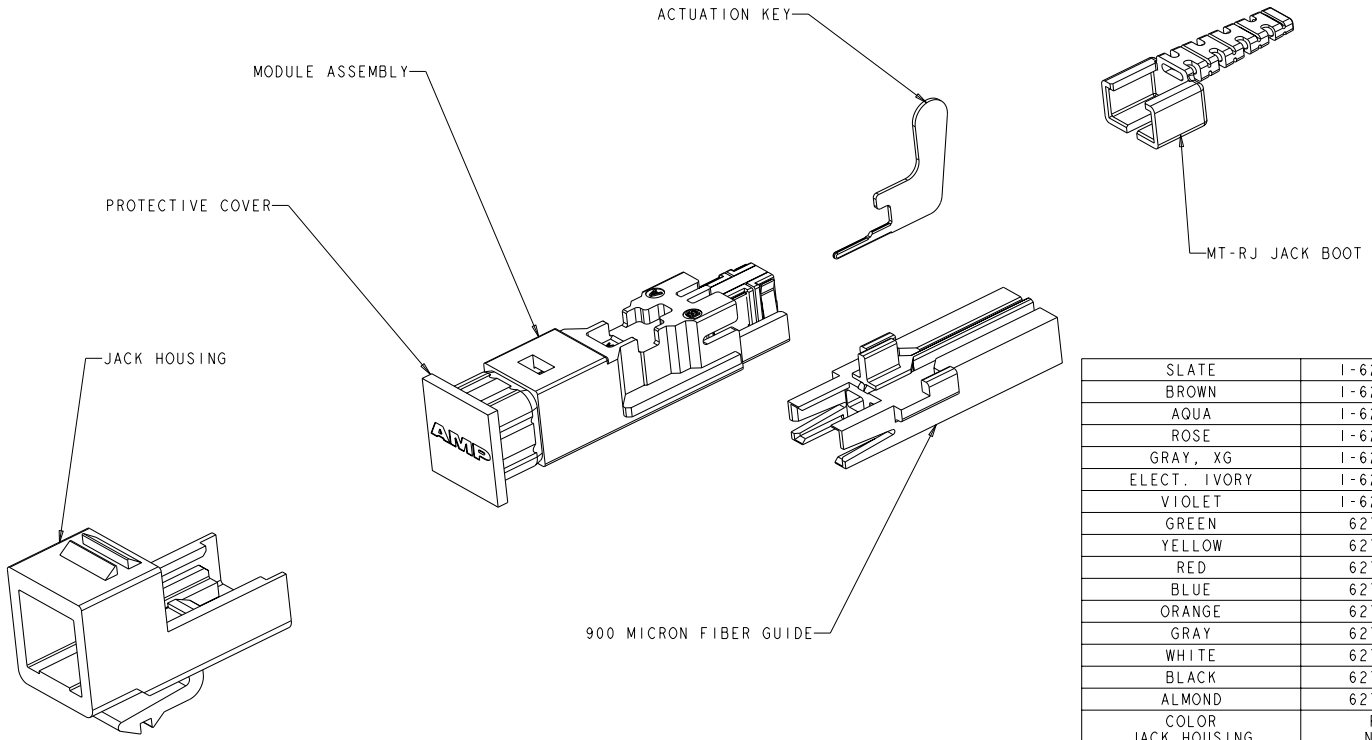
2

1

THIS DRAWING IS UNPUBLISHED. RELEASED FOR PUBLICATION  
 BY TYCO ELECTRONICS CORPORATION. ALL INTERNATIONAL RIGHTS RESERVED.  
 COPYRIGHT 20

LOC	DISP	REV	DESCRIPTION	DATE	BY	APP
CE	00	A	REV PER ECR-06-003731	16/08/06	BB	DK
		A1	DRAWING CLEAN UP	02/02/2009	BB	DK

△ ENSURE THAT THE WALL BOX IS AT LEAST 50.8mm [2.0 INCHES] DEEP, WHEN INSTALLING MT-RJ WORKSTATION KIT.



SLATE	1-6278414-6
BROWN	1-6278414-5
AQUA	1-6278414-4
ROSE	1-6278414-3
GRAY, XG	1-6278414-2
ELECT. IVORY	1-6278414-1
VIOLET	1-6278414-0
GREEN	6278414-9
YELLOW	6278414-8
RED	6278414-7
BLUE	6278414-6
ORANGE	6278414-5
GRAY	6278414-4
WHITE	6278414-3
BLACK	6278414-2
ALMOND	6278414-1
JACK COLOR	PART NUMBER
JACK HOUSING	PART NUMBER

DIMENSIONS: mm (INCHES)		TOLERANCES UNLESS OTHERWISE SPECIFIED: DIMENSIONS IN PARENTHESES		DWG: B. BRIGGS 01NOV2005 CDR: D. A. RIRSCH 01NOV2005 APPR: S. BUCHTER 07NOV2005	Tyco Electronics Harrisburg, PA 17105-3608
		DIMENSIONS IN PARENTHESES		NAME: MT-RJ, WORKSTATION JACK KIT, 50/125 PRODUCT SPEC:	RESTRICTED TO:
MATERIAL:		FINISH:		APPLICATION SPEC:	WEIGHT:
CUSTOMER DRAWING		SCALE: 3:1		SHEET: 1 OF 1	REV: A1