

4 3 2 1

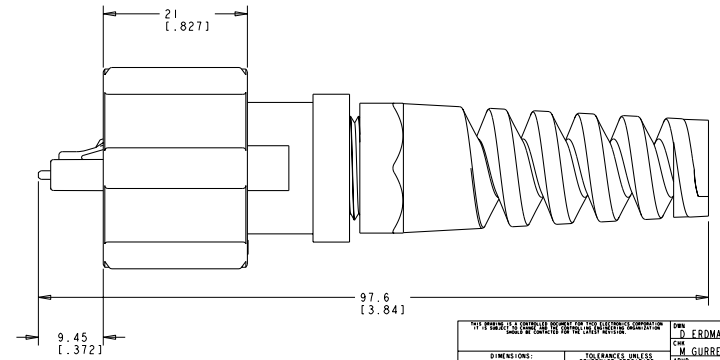
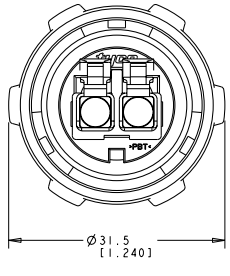
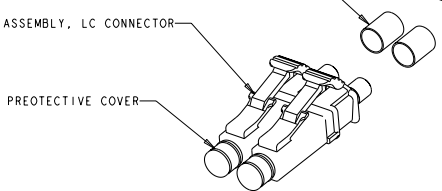
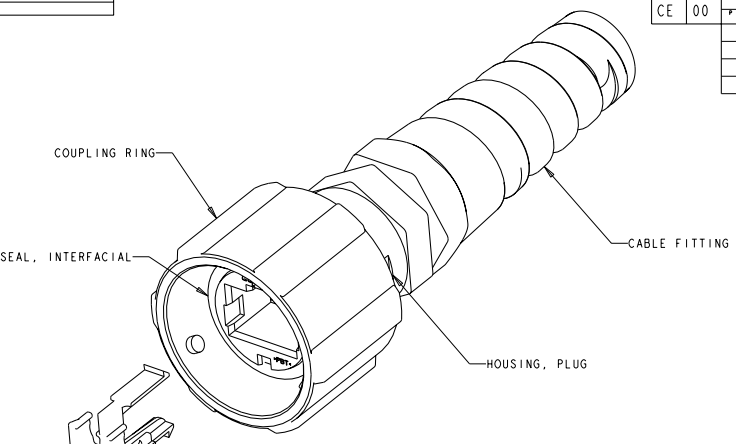
THIS DRAWING IS UNPUBLISHED. RELEASED FOR PUBLICATION
 BY TYCO ELECTRONICS CORPORATION. ALL RIGHTS RESERVED.

REV	DATE	BY	APPD
A	DEC2008	DDE	DDE

MATERIAL:
 PLUG HOUSING: PBT, COLOR: BLACK*
 COUPLING RING: PBT, COLOR: BLACK*
 CABLE FITTING: NYLON 6/6, COLOR: BLACK
 INTERFACIAL SEAL: SILICONE, COLOR: RED/ORANGE
 CRIMP EYELET: BRASS, TIN PLATED
 DUPLEX CLIP: PC, COLOR: BLACK*

LC PLUG ASSEMBLY:
 HOUSING: PEI, COLOR: (-1) MM BEIGE, (-2) SM BLUE*
 FERRULE SUB ASSY: ZIRCONIA/ METAL
 COMPRESSION SPRING: SST
 INNER TUBING: PTFE*
 REAR BODY: METAL
 PROTECTIVE CAP: PPSU, COLOR: BLACK

*UL 94 V-0 RATED AT QUALIFYING THICKNESS.



SINGLEMODE	1828618-2
MULTIMODE	1828618-1
DESCRIPTION	PART NO

DIMENSIONS: mm (IN)		TO BE USED IN CONJUNCTION WITH THE FOLLOWING TYCO PRODUCTS: PLUG HOUSING: 1828618-1, 1828618-2 CABLE FITTING: 1828618-3, 1828618-4 CRIMP EYELET: 1828618-5, 1828618-6 DUPLEX CLIP: 1828618-7, 1828618-8		OWN: D. ERDMAN 19MAY2005 CHK: M. GURRETT 19MAY2005 APPD: D. BAICHTLE 19MAY2005	Tyco Electronics Harrisburg, PA 17105-3608
MATERIAL: - FINISH: -		APPLICATION SPEC: - WEIGHT: - CUSTOMER DRAWING: -		NAME: D. BAICHTLE TITLE: CASE CODE: A200779 DRAWING NO: 1828618 SCALE: 5:2 SHEET: 1 OF 1 REV: A	RESTRICTED TO: -