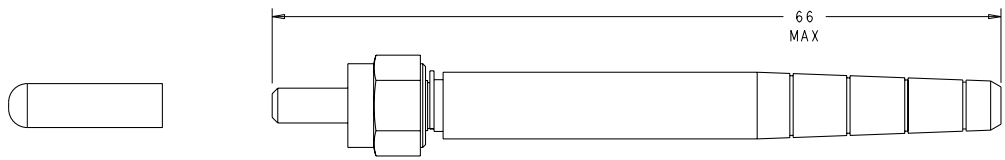


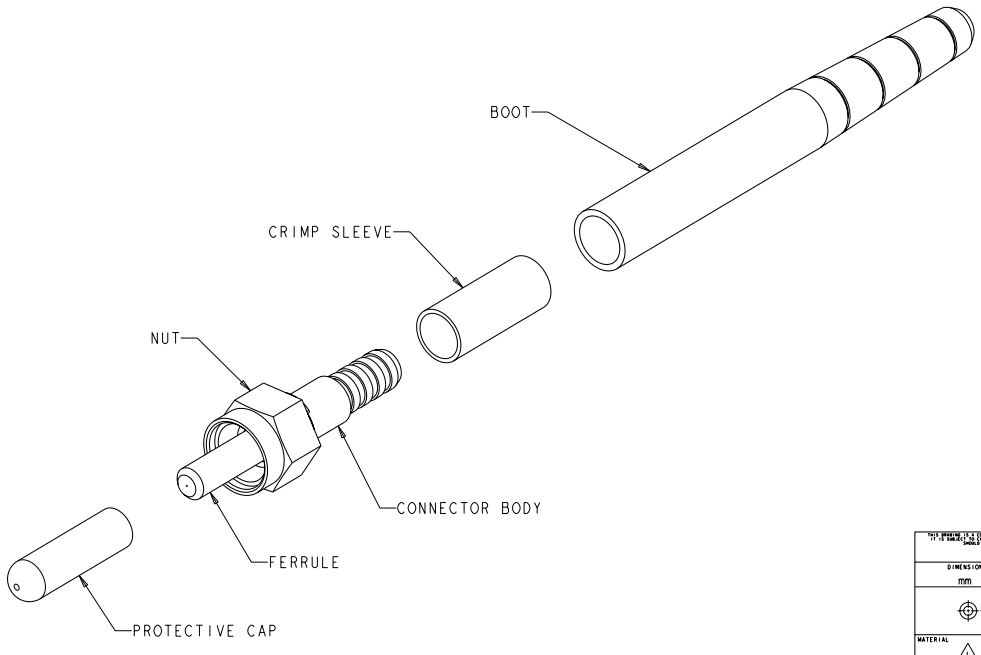
THIS DRAWING IS UNPUBLISHED. RELEASED FOR PUBLICATION BY TYCO ELECTRONICS CORPORATION. ALL RIGHTS RESERVED. COPYRIGHT 20

REV	DATE	BY	APP'D
I	15MAR2006	BB	LS
A	16MAR2007	JWD	LS



△ MATERIAL:
 FERRULE: STAINLESS STEEL
 CONNECTOR BODY: STAINLESS STEEL
 NUT: STAINLESS STEEL
 CRIMP SLEEVE: NICKEL PLATED COPPER ALLOY
 BOOT: POLYOLEFIN ELASTOMER, COLOR: BLACK
 PROTECTIVE COVER: VINYL, COLOR: RED.

2. COUPLING NUT NORMAL TIGHTENING TORQUE RANGE IS 7.0 TO 10.0 in-lbf. DO NOT EXCEED 20 in-lbf.



125um	5504570-1
FIBER HOLE SIZE	PART NUMBER

DIMENSIONS: mm 0 PLC ± 1 PLC ± 2 PLC ± 3 PLC ± 4 PLC ± ANGLES ± MATERIAL △ FINISH -	TO BE MADE TO ORDER FOR THE CUSTOMER'S APPLICATION. ALL DIMENSIONS ARE UNLESS OTHERWISE SPECIFIED. DIMENSIONS: mm 0 PLC ± 1 PLC ± 2 PLC ± 3 PLC ± 4 PLC ± ANGLES ± MATERIAL △ FINISH -	DWG: B. BRIGGS 15MAR2006 CHK: L. SAUERWEIN 15MAR2006 APP'D: S. BUCHTER 15MAR2006 PRODUCT SPEC: - APPLICATION SPEC: - WEIGHT: - CUSTOMER DRAWING	NAME: CONNECTOR KIT, SMA 905 STAINLESS STEEL FRONT BODY, STAINLESS STEEL REAR BODY, 4.3mm CABLE SIZE: A200779 CASE CODE: 5504570 DRAWING NO: 5504570 RESTRICTED TO: - SCALE: 4:1 SHEET 1 OF 1 REV A
---	---	---	--

AMP 1471-9 REV 31MAR2000
 Pro/ENGINEER DRAWING