

4

3

2

1

THIS DRAWING IS UNPUBLISHED. RELEASED FOR PUBLICATION BY TYCO ELECTRONICS CORPORATION. ALL RIGHTS RESERVED. COPYRIGHT 20

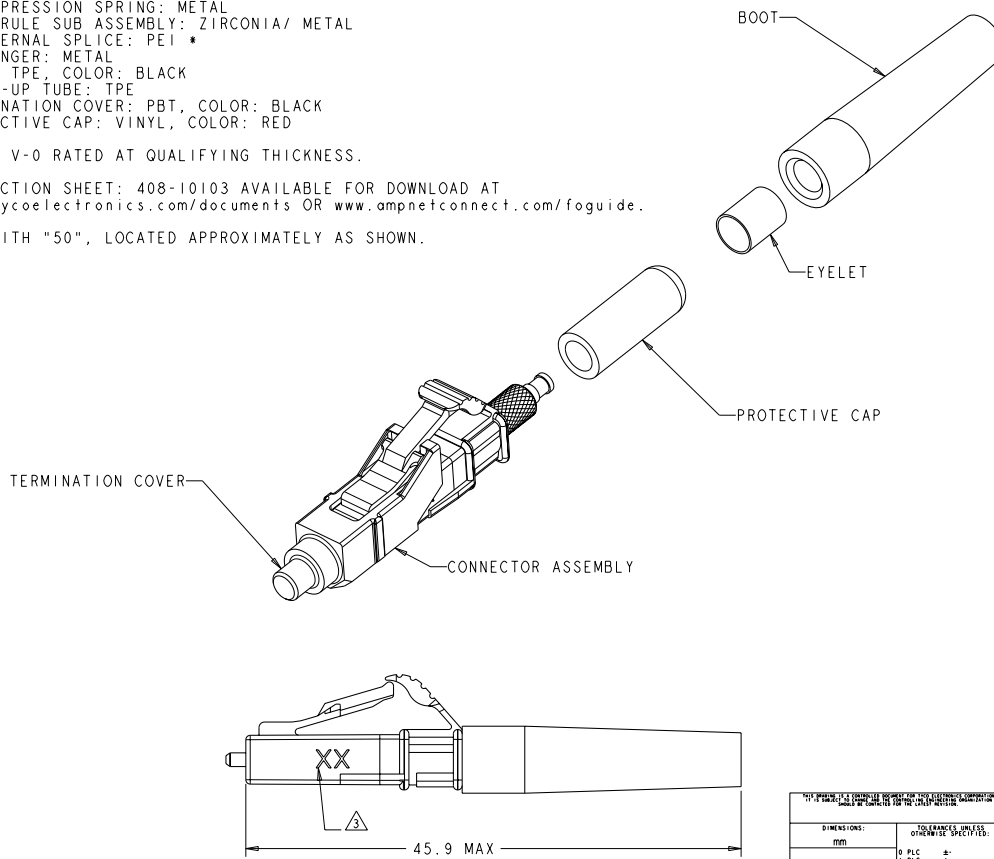
REV	DATE	BY	APP'D
C	29DEC2008	KG	SB
C1	18MAR2009	BB	SB

⚠ MATERIAL:
 CONNECTOR ASSEMBLY:
 CONNECTOR HOUSING: PPSU, COLOR: SEE -NO'S.*
 REAR BODY: METAL
 COMPRESSION SPRING: METAL
 FERRULE SUB ASSEMBLY: ZIRCONIA/ METAL
 INTERNAL SPLICE: PEI *
 PLUNGER: METAL
 BOOT: TPE, COLOR: BLACK
 BUILD-UP TUBE: TPE
 TERMINATION COVER: PBT, COLOR: BLACK
 PROTECTIVE CAP: VINYL, COLOR: RED

*UL94 V-0 RATED AT QUALIFYING THICKNESS.

2. INSTRUCTION SHEET: 408-10103 AVAILABLE FOR DOWNLOAD AT www.tycoelectronics.com/documents OR www.ampnetconnect.com/foguide.

⚠ MARK WITH "50", LOCATED APPROXIMATELY AS SHOWN.



SLATE	1-1828857-0
ORANGE	1828857-9
VIOLET	1828857-8
BROWN	1828857-7
AQUA	1828857-6
ROSE	1828857-5
BLUE	1828857-4
GREEN	1828857-3
YELLOW	1828857-2
RED	1828857-1
KEYED HOUSING COLOR	PART NO.

DIMENSIONS: mm 	TO MANUFACTURE TO THE DIMENSIONS SHOWN UNLESS OTHERWISE SPECIFIED. DIMENSIONS UNLESS OTHERWISE SPECIFIED: 0 PLC ±.1 1 PLC ±.15 2 PLC ±.2 3 PLC ±.25 4 PLC ±.3 ANGLES ±.5°	DWG: S2MAR2007 E. MCCORMICK CD: ERDMAN APD: S2MAR2007 NAME: KIT, CONNECTOR, LightCrimp Plus LC SECURE, SIMPLEX, MM50, 1.6-2.0mm JACKET APPLICATION SPEC: - WEIGHT: - MATERIAL: FINISH: - CUSTOMER DRAWING	Tyco Electronics Harrisburg, PA 17105-3608 SHEET: A2 CASE CODE: 00779 DRAWING NO: 1828857 SCALE: 4:1 SHEET 1 OF 1 REV: C1	RESTRICTED TO: -
-----------------------	--	--	--	------------------