

4

3

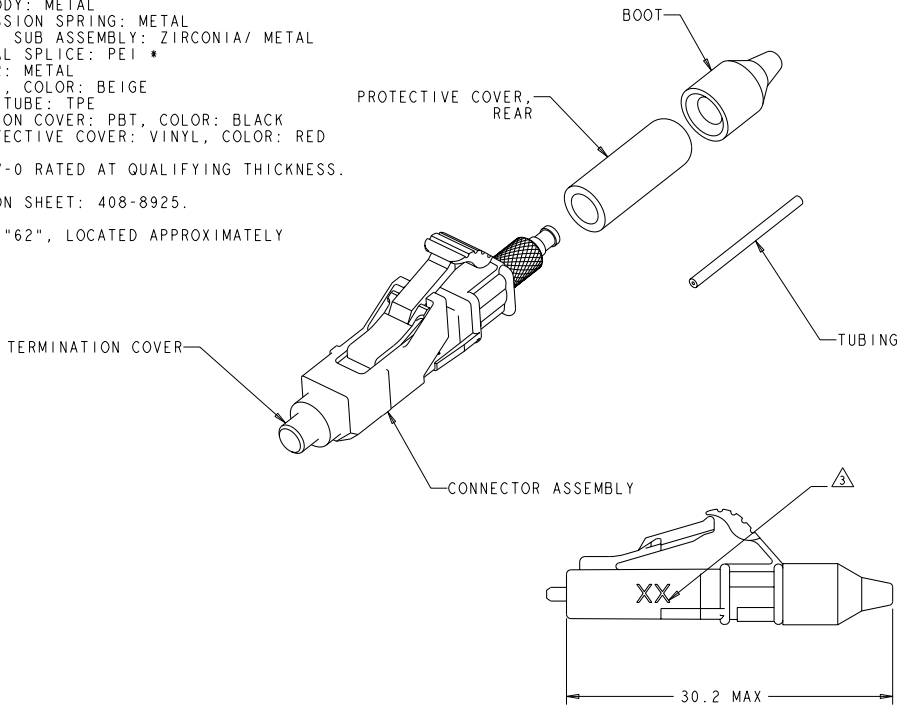
2

1

THIS DRAWING IS UNPUBLISHED. RELEASED FOR PUBLICATION BY TYCO ELECTRONICS CORPORATION. ALL RIGHTS RESERVED. COPYRIGHT 20

REV	DATE	BY	CHKD	APPROV
A	06-02-03	EH	DDE	EH
B	08-03-06	KG	SB	SB

△ MATERIAL:
 CONNECTOR ASSEMBLY:
 CONNECTOR HOUSING: PPSU, COLOR: SEE -NO'S.*
 REAR BODY: METAL
 COMPRESSION SPRING: METAL
 FERRULE SUB ASSEMBLY: ZIRCONIA/ METAL
 INTERNAL SPLICE: PEI *
 PLUNGER: METAL
 BOOT: TPE, COLOR: BEIGE
 BUILD-UP TUBE: TPE
 TERMINATION COVER: PBT, COLOR: BLACK
 REAR PROTECTIVE COVER: VINYL, COLOR: RED
 * UL 94 V-0 RATED AT QUALIFYING THICKNESS.
 2. INSTRUCTION SHEET: 408-8925.
 △ MARK WITH "62", LOCATED APPROXIMATELY AS SHOWN.



SLATE	1-1828855-0
ORANGE	1828855-9
VIOLET	1828855-8
BROWN	1828855-7
AQUA	1828855-6
ROSE	1828855-5
BLUE	1828855-4
GREEN	1828855-3
YELLOW	1828855-2
RED	1828855-1
KEYED HOUSING COLOR	PART NO.

DIMENSIONS: mm 		TO DIMENSIONS ONLY: OPERATIVE SPECIFICATIONS: 0 PLC ± 1 PLC ± 2 PLC ± 3 PLC ± 4 PLC ± ANGLES ± FINISH ±		DWG: D IERDMAN 11AUG05 CHK: M GURRERI 11AUG05 APPR: D BAECHTLE 11AUG05	Tyco Electronics Harrisburg, PA 17105-3608
MATERIAL: △		PRODUCT SPEC: APPLICATION SPEC: WEIGHT: CUSTOMER DRAWING	NAME: KIT, CONNECTOR, LightCrimp Plus LC SECURE, SIMPLEX, MM62.5 SIZE: A2 CASE CODE: 00779 DRAWING NO: 1828855	RESTRICTED TO: SCALE: 4:1 SHEET 1 OF 1 REV B	