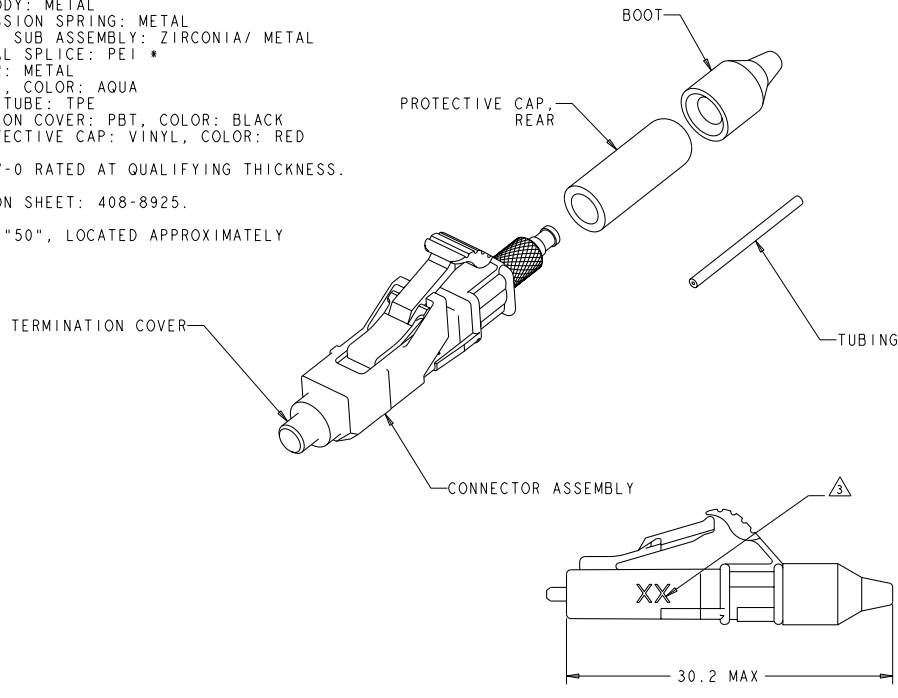


THIS DRAWING IS UNPUBLISHED. RELEASED FOR PUBLICATION BY TYCO ELECTRONICS CORPORATION. ALL RIGHTS RESERVED. COPYRIGHT 20

REVISONS		DATE	BY	APPROV
A	REL TO ACTIVE STATUS 06-027039	4JAN2007	DDE	EH
B	REVISE PER ECR-07-009334	07MAY2007	BB	CB
C	ECR-08-031868	22OC2008	KG	SB

MATERIAL:
 CONNECTOR ASSEMBLY:
 CONNECTOR HOUSING: PPSU, COLOR: SEE -NO'S.*
 REAR BODY: METAL
 COMPRESSION SPRING: METAL
 FERRULE SUB ASSEMBLY: ZIRCONIA/ METAL
 INTERNAL SPLICE: PEI *
 PLUNGER: METAL
 BOOT: TPE, COLOR: AQUA
 BUILD-UP TUBE: TPE
 TERMINATION COVER: PBT, COLOR: BLACK
 REAR PROTECTIVE CAP: VINYL, COLOR: RED
 * UL 94 V-0 RATED AT QUALIFYING THICKNESS.
 2. INSTRUCTION SHEET: 408-8925.
 MARK WITH "50", LOCATED APPROXIMATELY AS SHOWN.



SLATE	1-1828854-0
ORANGE	1828854-9
VIOLET	1828854-8
BROWN	1828854-7
AQUA	1828854-6
ROSE	1828854-5
BLUE	1828854-4
GREEN	1828854-3
YELLOW	1828854-2
RED	1828854-1
KEYED HOUSING COLOR	PART NO.

DIMENSIONS: mm TO DIMENSIONS UNLESS OTHERWISE SPECIFIED.		DWN: D IERDMAN 11AUG05 CBY: M GURRERI 11AUG05 APD: D BAICHTLE 11AUG05	Tyco Electronics Harrisburg, PA 17105-3608
0 PLC ± 1 PLC ± 2 PLC ± 3 PLC ± 4 PLC ± ANGLES ± FINISH	PRODUCT SPEC APPLICATION SPEC WEIGHT CUSTOMER DRAWING	NAME: KIT, CONNECTOR, LightCrimp Plus LC SECURE, SIMPLEX, MM50XG SIZE: A2 CASE CODE: 00779 DRAWING NO: 1828854	RESTRICTED TO: - SCALE: 4:1 SHEET: 1 OF 1 REV: C