

4

3

2

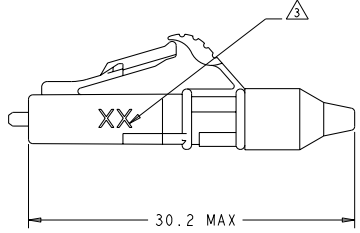
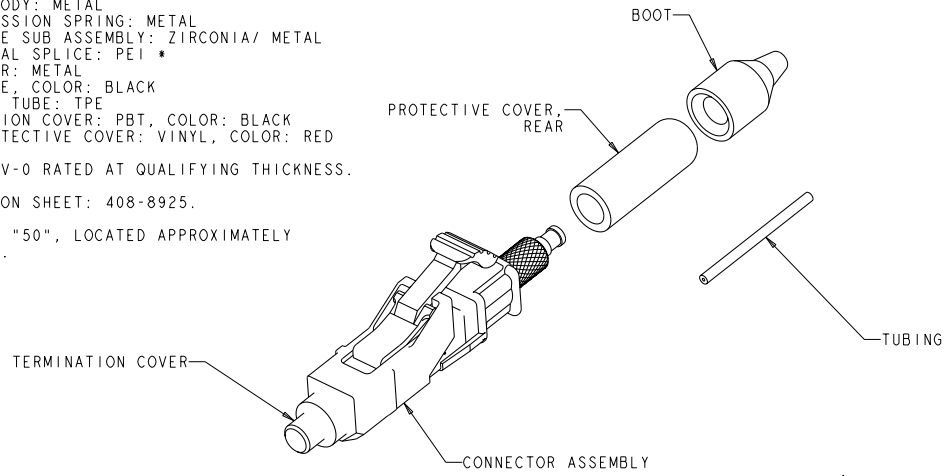
1

THIS DRAWING IS UNPUBLISHED. RELEASED FOR PUBLICATION BY TYCO ELECTRONICS CORPORATION. ALL RIGHTS RESERVED. COPYRIGHT 20

REV	DATE	BY	CHKD	APPROV
A	REL TO ACTIVE PER 06-027039	4JAN2007	DDE	EH
B	ECR-08-031868	22DEC2008	KG	SB

△ MATERIAL:  
 CONNECTOR ASSEMBLY:  
 CONNECTOR HOUSING: PPSU, COLOR: SEE -NO'S.\*  
 REAR BODY: METAL  
 COMPRESSION SPRING: METAL  
 FERRULE SUB ASSEMBLY: ZIRCONIA/ METAL  
 INTERNAL SPLICE: PEI \*  
 PLUNGER: METAL  
 BOOT: TPE, COLOR: BLACK  
 BUILD-UP TUBE: TPE  
 TERMINATION COVER: PBT, COLOR: BLACK  
 REAR PROTECTIVE COVER: VINYL, COLOR: RED  
 \* UL 94 V-0 RATED AT QUALIFYING THICKNESS.

2. INSTRUCTION SHEET: 408-8925.  
 △ MARK WITH "50", LOCATED APPROXIMATELY AS SHOWN.



SLATE	1-1828853-0
ORANGE	1828853-9
VIOLET	1828853-8
BROWN	1828853-7
AQUA	1828853-6
ROSE	1828853-5
BLUE	1828853-4
GREEN	1828853-3
YELLOW	1828853-2
RED	1828853-1
KEYED HOUSING COLOR	PART NO.

DIMENSIONS: mm		TOLERANCES UNLESS OTHERWISE SPECIFIED: 0 PLC ±.1 1 PLC ±.15 2 PLC ±.2 3 PLC ±.3 4 PLC ±.4 ANGLES ±.5 FINISH		DWN D IERDMAN 11AUG05 CDR M GURRERI 11AUG05 APD D BAECHTLE 11AUG05	Tyco Electronics Harrisburg, PA 17105-3608
MATERIAL △		APPLICATION SPEC		NAME KIT, CONNECTOR, LightCrimp Plus LC SECURE, SIMPLEX, MM50	
WEIGHT		SIZE CASE CODE DRAWING NO A2 00779 ©=1828853		RESTRICTED TO	
CUSTOMER DRAWING		SCALE 4:1		SHEET 1 OF 1 REV B	