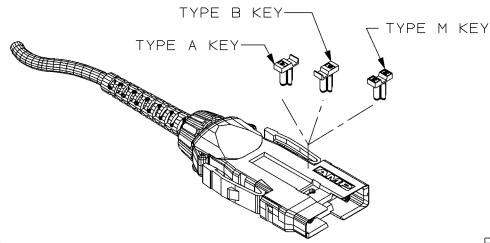


DRAWING MADE IN THIRD ANGLE PROJECTION

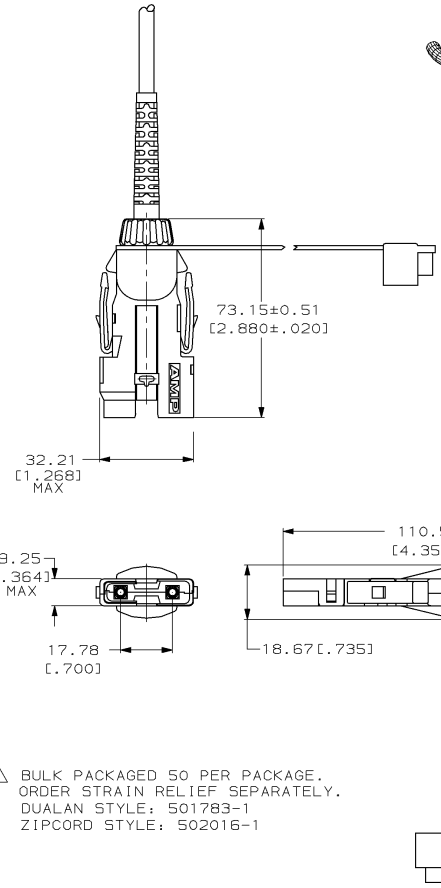
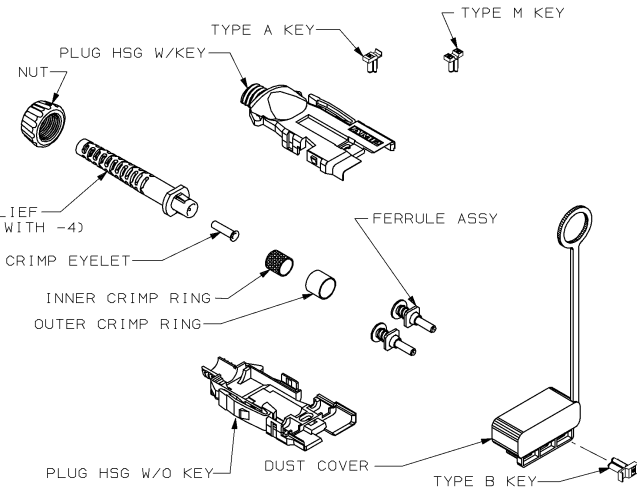
THIS DRAWING IS UNPUBLISHED. RELEASED FOR PUBLICATION
 © COPYRIGHT 1985 BY AMP INCORPORATED, HARRISBURG, PA. ALL INTERNATIONAL RIGHTS RESERVED. AMP PRODUCTS MAY BE COVERED BY U.S. AND FOREIGN PATENTS AND/OR PATENTS PENDING.

LOC CE	DIST 16	P	F	ZONE	LTR	REVISIONS			
						DESCRIPTION	DATE	APPROVED	
					L	REV PER	0A00-0237-95	6-8-95	RH/FR

- DIMENSIONS IN [] ARE IN INCHES
 - CONNECTOR WITHOUT KEY IS TYPE S
 - HOUSINGS: PBT MOLDING COMPOUND
 NUT: PBT MOLDING COMPOUND
 FERRULE ASSY: STAINLESS STEEL AND CERAMIC
 INNER CRIMP RING: BRASS
 OUTER CRIMP RING: COPPER
 STRAIN RELIEF: POLYPROPYLENE
 DUST COVER: THERMOPLASTIC RUBBER
 - INSTRUCTION SHEET 9373
- △ BULK PACKAGED, 200 PER PACKAGE.



DUST COVER NOT SHOWN



△ BULK PACKAGED 50 PER PACKAGE.
 ORDER STRAIN RELIEF SEPARATELY.
 DUALAN STYLE: 501783-1
 ZIPCORD STYLE: 502016-1

FIBER SIZE	PART NO
125µm	501780-4
125µm	501780-3
140µm	501780-2
125µm	501780-1

UNLESS OTHERWISE SPECIFIED DIMENSIONS ARE IN mm TOLERANCES ON :		DR 5-19-88 B.BRIGGS		AMP AMP INCORPORATED Harrisburg, Pa. 17105 NAME CONNECTOR KIT, DUALAN CABLE, AMP FSD	
2 PL DEC ± 0.13(.005)		CHK 5-19-88 J.ZEIDERS			
3 PL DEC ± -		APPD 5-20-88 L.BUDD		SIZE FSCM NO DRAWING NO	
ANGLES ± -		APPD 5-20-88 D.THOMPSON		C 00779 501780	
MATERIAL		PRODUCT SPEC		SCALE 1:1 SHEET 1 OF 1	
FINISH		APPLICATION SPEC			
		WEIGHT			

METRIC

RESTRICTED RELEASE
 DRAWING MAY CHANGE WITHOUT
 CUSTOMER NOTIFICATION

CUSTOMER DRAWING