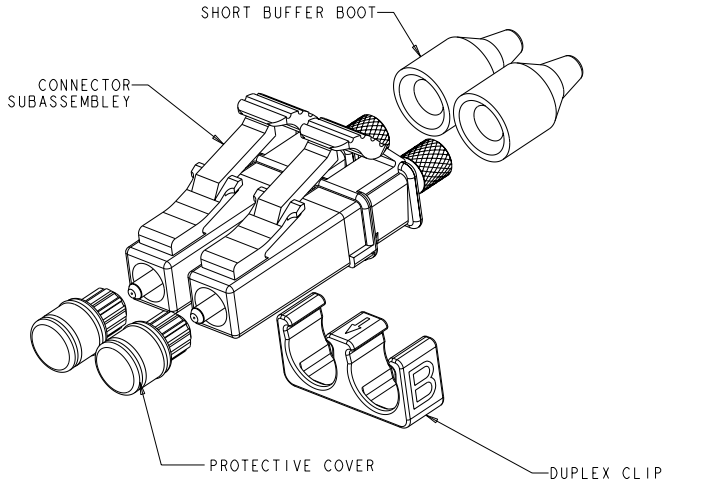


THIS DRAWING IS UNPUBLISHED. RELEASED FOR PUBLICATION.
 BY TYCO ELECTRONICS CORPORATION. ALL INTERNATIONAL RIGHTS RESERVED.

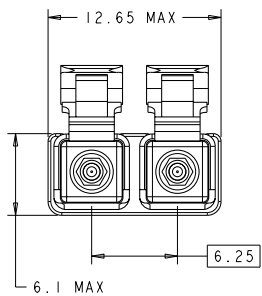
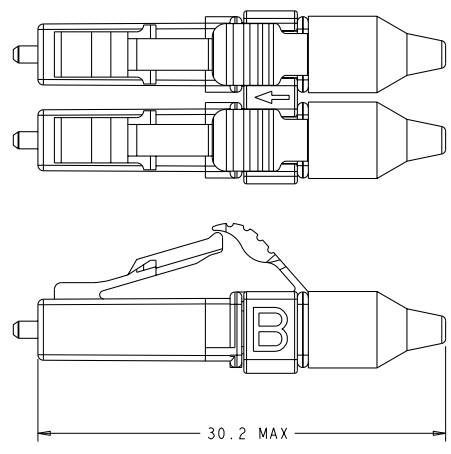
REV	DATE	BY	APPV
BZ	16MAR2009	BB	SB
C	13JUN2010	IL	CT



MATERIAL
 PROTECTIVE COVER: TPE, COLOR: BLACK, UL94 HB*
 FERRULE SUBASSEMBLY: ZIRCONIA/METAL
 COMPRESSION SPRING: STAINLESS STEEL
 FRONT HOUSING: PEI, COLOR: BLUE, UL94 V-0*
 INNER TUBING: PTFE, COLOR: CLEAR, UL VW-1
 REAR BODY: METAL
 BOOT: TPE, COLOR: BLUE, UL94 V-0*
 DUPLEX CLIP: PEI, COLOR: BLACK, UL 94 V-0*
 *RATED AT QUALIFYING THICKNESS.

BULK PACKAGE.

3. INSTRUCTION SHEET: 408-8675 AVAILABLE FOR DOWNLOAD AT
www.tycoelectronics.com/documents OR
www.ampnetconnect.com/foguide.



1918387-2
1918387-1
PART NUMBER

DIMENSIONS: mm 0 P/LC ± 1 P/LC ± 2 P/LC ± 3 P/LC ± 4 P/LC ± ANGLES ± FINISH -	TO: B. BRIGGS 03MAY2006 D. RÖHDE 03MAY2006 S. BUCHTER 03MAY2006 APPLICATION SPEC PRODUCT SPEC WEIGHT - CUSTOMER DRAWING	Tyco Electronics Corporation Shanghai, China KIT, CONNECTOR, LC, DUPLEX, SM, 900um BUFFER SHEET CASE CODE DRAWING NO A2 - ©-1918387 SCALE 5:1 SHEET 1 OF 1 REV C
---	---	--