

4

3

2

1

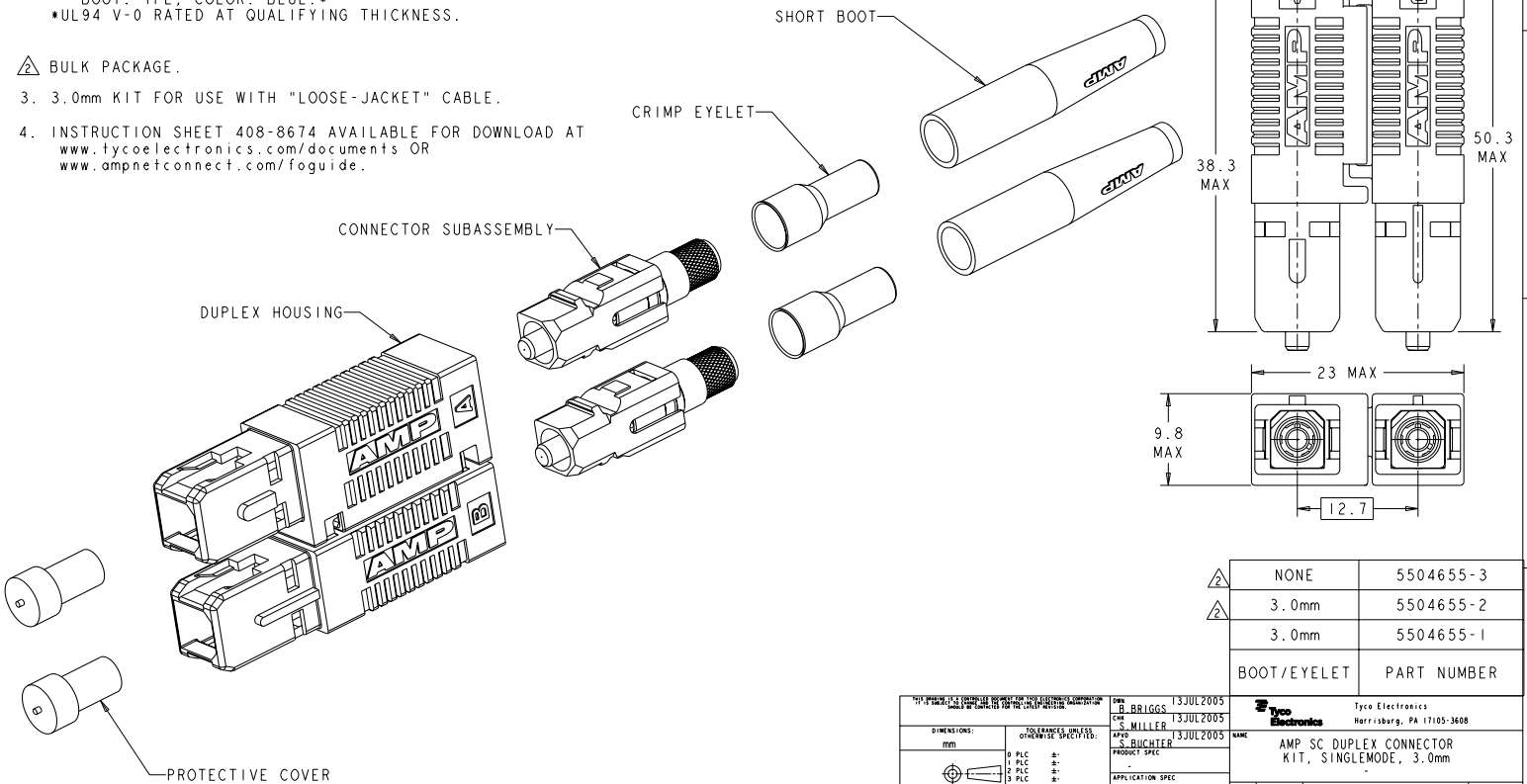
THIS DRAWING IS UNPUBLISHED. RELEASED FOR PUBLICATION BY TYCO ELECTRONICS CORPORATION. ALL RIGHTS RESERVED. COPYRIGHT 20

REVISIONS				
P	LYR	DESCRIPTION	DATE	BY
A		RELEASE TO ACTIVE	07JUN2006	BB SM
A1		ADD NOTE 4.	11MAY2009	KG SB

**MATERIAL:**  
 PROTECTIVE COVER: LDPE, BLACK, NON-FR.  
 CONNECTOR HOUSING: PBT-GF17, COLOR: BLUE.\*  
 CONNECTOR SUBASSEMBLY:  
 PLUG BODY: PES-GF20, COLOR: BEIGE.\*  
 FERRULE ASSEMBLY: CERAMIC/PBT-GF17, COLOR: BLUE.\*  
 EPOXY-FILL TUBING: PTFE, COLOR: CLEAR, UL VW-1 RATED.  
 SPRING: STAINLESS STEEL.  
 RETAINER BODY: PES-GF20, COLOR: BEIGE.\*  
 CRIMP EYELET: TIN PLATED COPPER.  
 BOOT: TPE, COLOR: BLUE.\*  
 \*UL94 V-0 RATED AT QUALIFYING THICKNESS.

**BULK PACKAGE.**

- 3.0mm KIT FOR USE WITH "LOOSE-JACKET" CABLE.
- INSTRUCTION SHEET 408-8674 AVAILABLE FOR DOWNLOAD AT [www.tycoelectronics.com/documents](http://www.tycoelectronics.com/documents) OR [www.ampnetconnect.com/foguide](http://www.ampnetconnect.com/foguide).



BOOT/EYELET	PART NUMBER
NONE	5504655-3
3.0mm	5504655-2
3.0mm	5504655-1

DIMENSIONS: mm		TO: B. BRIGGS 13JUL2005 C. S. MILLER 13JUL2005 A. P. S. BUCHTER 13JUL2005	Tyco Electronics Harrisburg, PA 17105-3608
MATERIAL:		PRODUCT SPEC: APPLICATION SPEC: WEIGHT: FINISH:	NAME: AMP SC DUPLEX CONNECTOR KIT, SINGLEMODE, 3.0mm SHEET: A2 CASE CODE: 00779 DRAWING NO: 5504655 RESTRICTED TO:
CUSTOMER DRAWING		SCALE: 3:1	SHEET 1 OF 1 REV A1