

4

3

2

1

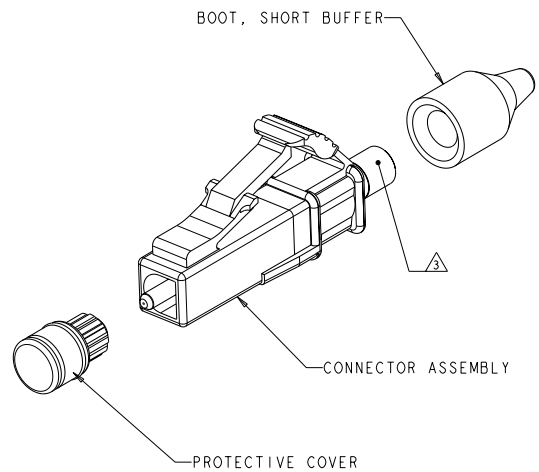
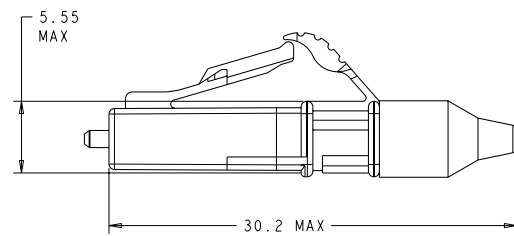
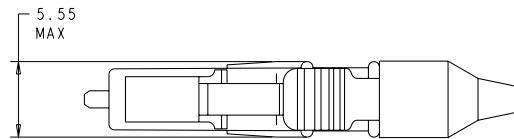
THIS DRAWING IS UNPUBLISHED. RELEASED FOR PUBLICATION  
 BY TYCO ELECTRONICS CORPORATION. ALL RIGHTS RESERVED.

REV	DATE	BY	APPV
B2	17MAR2009	BB	SB
C	08MAR2010	DLF	CB

△ MATERIAL: PROTECTIVE COVER: TPE, COLOR: BLACK, UL94 V-0\*  
 FERRULE SUB ASSEMBLY: ZIRCONIA/METAL.  
 COMPRESSION SPRING: STAINLESS STEEL.  
 HOUSING: PPSU, COLOR: SEE DASH NO'S.  
 INNER TUBING: PTFE, COLOR: CLEAR, UL VW-1.  
 REAR BODY: METAL  
 BOOT: TPE, COLOR: BLUE, UL94 V-0\*  
 \*RATED AT QUALIFYING THICKNESS.

2. INSTRUCTION SHEET: 408-8675 AVAILABLE FOR DOWNLOAD AT  
[www.tycoelectronics.com/documents](http://www.tycoelectronics.com/documents) OR [www.ampnetconnect.com/foguide](http://www.ampnetconnect.com/foguide).

△ BLACK DOT SIGNIFIES SINGLEMODE.



SLATE	1-1828862-0
ORANGE	1828862-9
VIOLET	1828862-8
BROWN	1828862-7
AQUA	1828862-6
ROSE	1828862-5
BLUE	1828862-4
GREEN	1828862-3
YELLOW	1828862-2
RED	1828862-1
COLOR	PART NO

DATE	22FEB2006	OWN	D. ERODMAN
DATE	22FEB2006	CHK	M. GURRARI
DATE	22FEB2006	APPV	D. BAICHTLE
DIMENSIONS:		TOLERANCES UNLESS OTHERWISE SPECIFIED:	
mm	0 PLC ±0.1	mm	0.1
	1 PLC ±0.1		0.1
	2 PLC ±0.1		0.1
	3 PLC ±0.1		0.1
	4 PLC ±0.1		0.1
	ANGLES ±0.1		0.1
MATERIAL	FINISH	WEIGHT	
△			
CUSTOMER DRAWING		SCALE	5:1
SHEET		1	OF 1
REV		C	