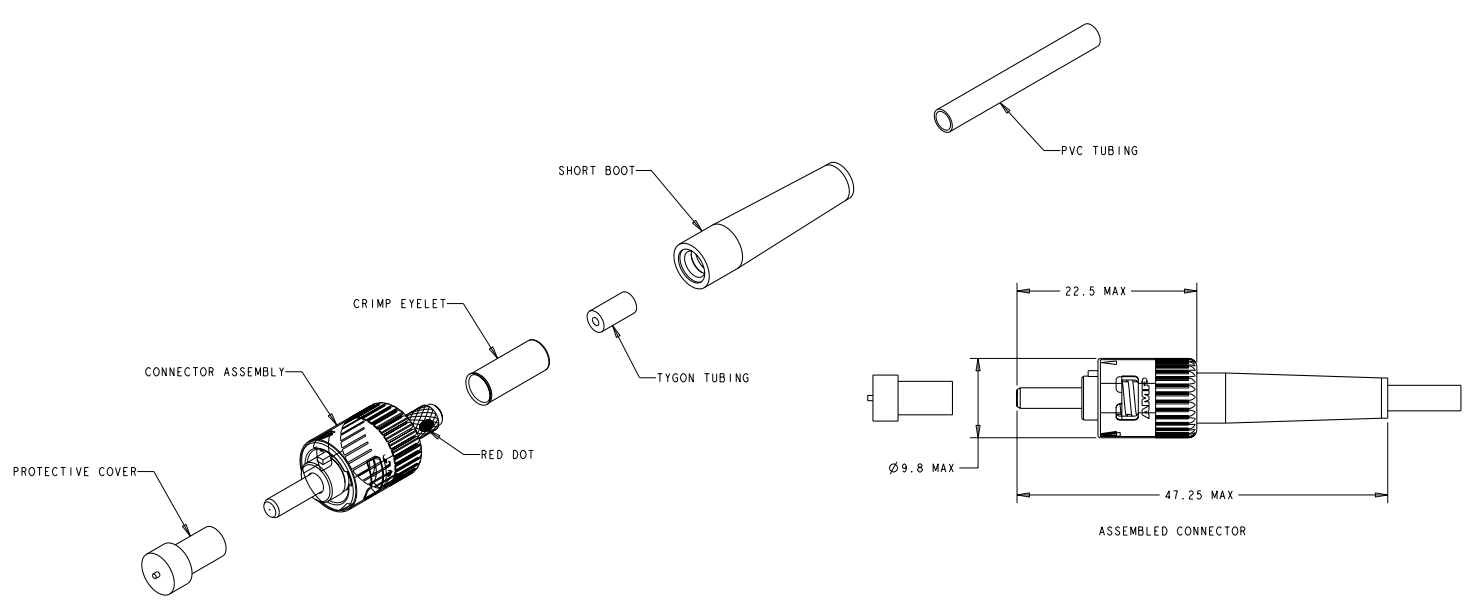


LOC		DIST		REVISIONS			
P	LYR	DESCRIPTION	DATE	BY	APPV		
B		REVISE PER ECR-06-003181	09/28/06	BB	SB		
B1		ADD NOTE 3	09/28/09	JZ	RZ		



- ⚠ MATERIAL:
- PROTECTIVE COVER: LDPE, COLOR: BLACK, NON-FR.
 - CONNECTOR ASSEMBLY: FERRULE ASSEMBLY: CERAMIC/NICKEL PLATED BRASS. SPRING: STAINLESS STEEL. COUPLING NUT: ZINC. RETENTION RING: STAINLESS STEEL.
 - CRIMP EYELET: TIN PLATED COPPER
 - SHORT BOOT: TPE, SEE DASH NUMBERS FOR COLOR*
 - TYGON TUBING: TYGON, COLOR: CLEAR.
 - PVC TUBING: PVC, COLOR: BLACK, NON-FR.
 - *UL94 V-0 RATED AT QUALIFYING THICKNESS.
- ⚠ BULK PACKAGE.

3. INSTRUCTION SHEET: 408-9971 AVAILABLE FOR DOWNLOAD AT www.tycoelectronics.com/documents OR www.ampnetconnect.com/foguide.

△	PVC	YELLOW	126	5502580-8
△	-	BLUE	126	5502580-7
△	-	YELLOW	126	5502580-4
	PVC AND TYGON	YELLOW	126	5502580-2
	TUBING	SHORT BOOT	FIBER SIZE	PART NUMBER

<small>TOP DIMENSIONS CONTROLLED THROUGHOUT THE ENTIRE LENGTH OF THE PART UNLESS OTHERWISE SPECIFIED. DIMENSIONS FOR THE LOCAL REVISED.</small>		DWG: B. BRIGGS 05APR2005 CHK: S. BUCHTER 05APR2005 APPR: S. BUCHTER 05APR2005	Tyco Electronics Corporation Shanghai, China
DIMENSIONS: mm (INCHES)	TOLERANCES UNLESS OTHERWISE SPECIFIED: 0 PLC ±.1 1 PLC ±.1 2 PLC ±.1 3 PLC ±.1 4 PLC ±.1 ANGLES ±.1 FINISH -	NAME: CONNECTOR KIT, 2.5mm BAYONET, SINGLEMODE, OPTIMATE APPLICATION SPEC: - WEIGHT: - CUSTOMER DRAWING: -	SHEET: A2 CASE CODE: 00779 DRAWING NO: 5502580 RESTRICTED TO: - SCALE: 3:1 SHEET OF: 1 REV: B1