

4

3

2

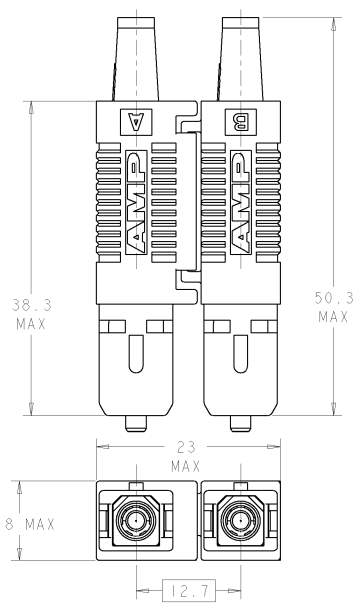
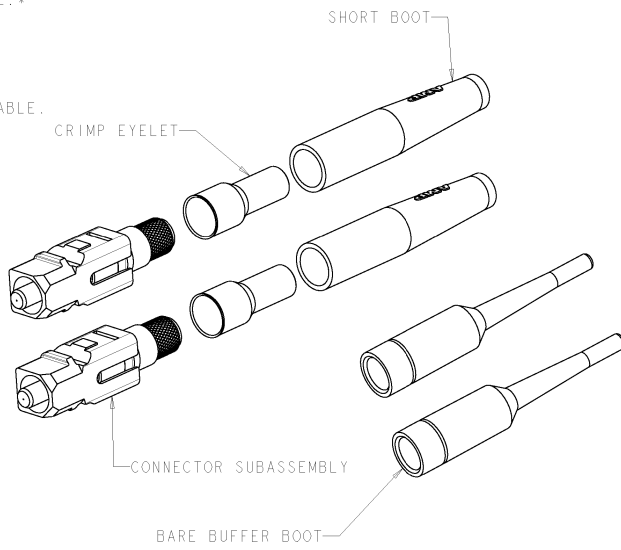
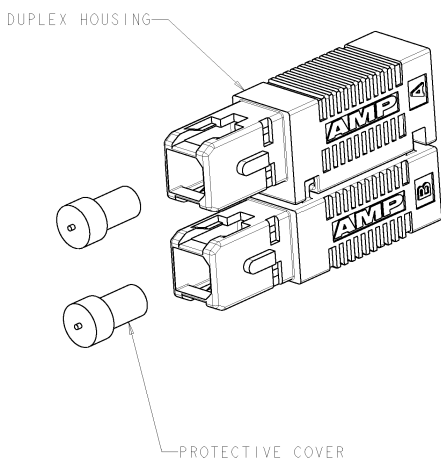
1

THIS DRAWING IS UNPUBLISHED. RELEASED FOR PUBLICATION BY TYCO ELECTRONICS CORPORATION. ALL RIGHTS RESERVED.

| REV | DATE      | BY | CHKD | DESCRIPTION             |
|-----|-----------|----|------|-------------------------|
| H   | 12NOV2004 | BB | SM   | REVISE PER 0400-0556-04 |

**MATERIAL:**  
 CONNECTOR HOUSING: PBT-GF17, COLOR: BEIGE.\*  
 PROTECTIVE COVER: LDPE, COLOR: BLACK, NON-FR.  
 CONNECTOR SUBASSEMBLY:  
 PLUG BODY: PES-GF20, COLOR: BLUE.\*  
 FERRULE ASSEMBLY: CERAMIC/PBT-GF17, COLOR: BEIGE.\*  
 EPOXY FILL TUBING: PTFE, COLOR: CLEAR, UL VW-1 RATED.  
 SPRING: STAINLESS STEEL.  
 RETAINER BODY: PES-GF20, COLOR: BEIGE.\*  
 CRIMP EYELET: TIN PLATED COPPER.  
 BOOT: TPE, COLOR: BEIGE.\*  
 \*UL94 V-0 RATED AT QUALIFYING THICKNESS.

- △ BULK PACKAGE.
- 3. 3.0mm KIT FOR USE WITH "LOOSE-JACKETED" CABLE.
- △ NO AMP LOGO.
- △ CONTAINS NO CRIMP EYELETS.



| SYMBOL | DESCRIPTION     | PART NUMBER |
|--------|-----------------|-------------|
| △△△    | NONE            | 504657-7    |
| △△     | 3.0mm           | 504657-6    |
| △      | 3.0mm AND 900um | 504657-5    |
| △      | 3.0mm           | 504657-4    |
| △      | 3.0mm           | 504657-3    |
| △      | 3.0mm           | 504657-2    |
| △      | 3.0mm           | 504657-1    |
|        | BOOT            | PART NUMBER |

|   |  |   |  |
|---|--|---|--|
| DIMENSIONS: mm<br>DIMENSIONS IN PARENTHESES ARE FOR REFERENCE ONLY. |  | DWG: B. BRIGGS 12NOV2004<br>CHK: S. MILLER 12NOV2004<br>APP: S. BUCHTER 12NOV2004 | <b>tyco</b><br><b>Electronics</b><br>Tyco Electronics<br>Harrisburg, PA 17105-8400 |
| MATERIAL: △<br>FINISH: -  | PRODUCT SPEC: -<br>APPLICATION SPEC: -<br>WEIGHT: -<br>CUSTOMER DRAWING: - | SIZE: A200779<br>CASE CODE: C-504657<br>DRAWING NO: 504657                        | RESTRICTED TO: -<br>SCALE: 3:1<br>SHEET: 1 OF 1<br>REV: H                          |

AMP 1471-4 REV 20040200  
 PRO/ENGINEER DRAWING