

4

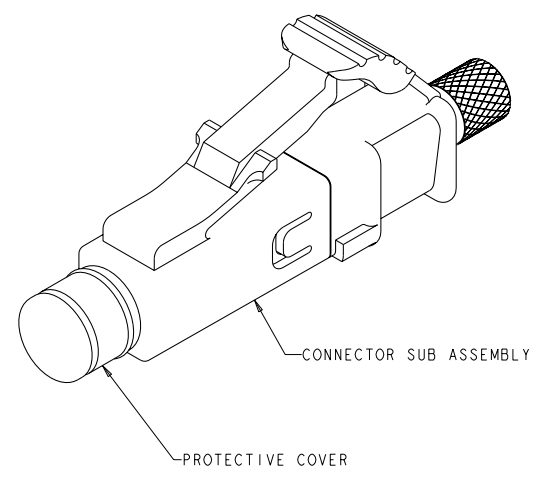
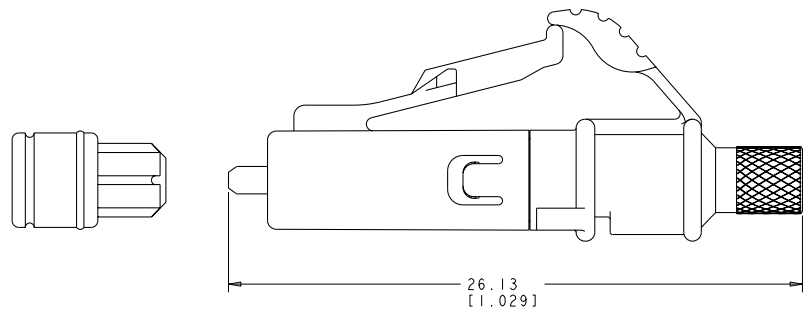
3

2

1

THIS DRAWING IS UNPUBLISHED. RELEASED FOR PUBLICATION BY TYCO ELECTRONICS CORPORATION. ALL RIGHTS RESERVED. COPYRIGHT 20

REV	DATE	BY	APP'D	DESCRIPTION
A	01MAY2006	BB	DR	REV PER ECR-06-009214



▲ MATERIAL:
 PROTECTIVE COVER - TPE, BLACK, UL 94 V-0 *
 FERRULE SUB ASSEMBLY - ZIRCONIA/METAL
 COMPRESSION SPRING - STAINLESS STEEL
 FRONT HOUSING - PEI, BLUE, UL 94 V-0 *
 INNER TUBING - PTFE, CLEAR, UL VW-1
 REAR BODY - PEI/METAL, BLUE, UL 94 V-0 *

* RATED AT QUALIFYING THICKNESS

2. BULK PACKAGED.

6588239-1
PART NO

DIMENSIONS: mm (INCHES)		TO MANUFACTURE TO THE DIMENSIONS SHOWN UNLESS OTHERWISE SPECIFIED.		DWG F HOPKINS 09MAY2005	Tyco Electronics Harrisburg, PA 17105-3608
0 PLC .50 1 PLC .50 2 PLC .50 3 PLC .50 4 PLC .50 ANGLES .0008	PRODUCT SPEC APPLICATION SPEC WEIGHT FINISH	CDR D ROHDE 09MAY2005	NAME S. BLUCHTER APPLICATION SPEC WEIGHT FINISH	SHEET A2	CASE CODE 00779
MATERIAL				DRAWING NO 6588239	RESTRICTED TO
CUSTOMER DRAWING				SCALE 8:1	SHEET 1 OF 1