

4

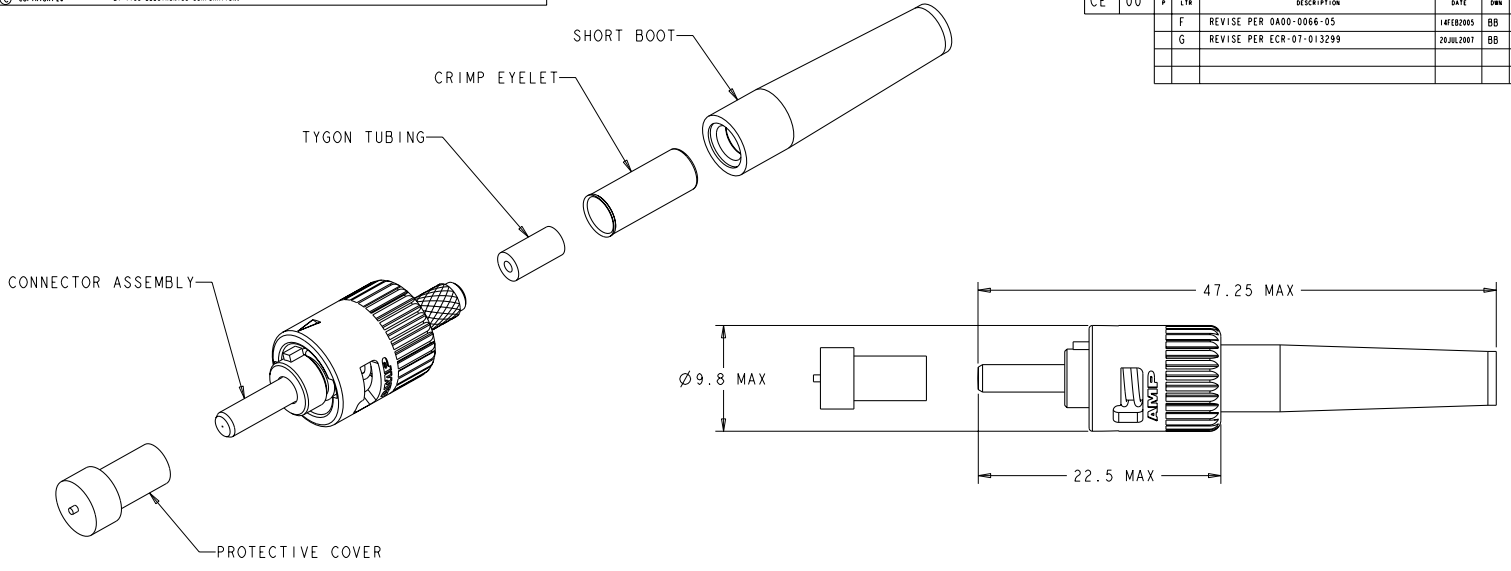
3

2

1

THIS DRAWING IS UNPUBLISHED. RELEASED FOR PUBLICATION. BY TYCO ELECTRONICS CORPORATION. ALL RIGHTS RESERVED.

REV	DATE	BY	CHKD	APPROV
F	14FEB2005	BB	SB	
G	26JUL2007	BB	SB	



△ MATERIAL:
 PROTECTIVE COVER: LDPE, COLOR: BLACK, NON-FR.
 CONNECTOR ASSEMBLY:
 FERRULE ASSEMBLY: CERAMIC / ARP-GF30, COLOR: BLACK.*
 SPRING: STAINLESS STEEL.
 COUPLING NUT: PBT-GF17, COLOR: BLACK.*
 RETENTION RING: STAINLESS STEEL.
 CRIMP EYELET: TIN PLATED COPPER.
 SHORT BOOT: TPE, COLOR: BLACK.*
 TYGON TUBING: TYGON, COLOR: CLEAR.
 *UL94 V-0 RATED AT QUALIFYING THICKNESS.

DESCRIPTION	FIBER SIZE	PART NUMBER
SHORT BOOT	125um	503571-1

DIMENSIONS: mm 	TO BE CHECKED BY THE CUSTOMER. DIMENSIONS: 0 PLC ± 1 PLC ± 2 PLC ± 3 PLC ± 4 PLC ± ANGLES ± MATERIAL FINISH	AUTHORIZED BY: B. BRIGGS 14FEB2005 S. BUCHTER 14FEB2005 APPROV: S. BUCHTER 14FEB2005 PRODUCT SPEC APPLICATION SPEC WEIGHT CUSTOMER DRAWING	NAME: S. BUCHTER 14FEB2005 SHEET CASE CODE DRAWING NO. RESTRICTED TO: A200779 503571 SCALE 4:1 SHEET 1 OF 1 REV G	Tyco Electronics Harrisburg, PA 17105-3608 tyco Electronics CONNECTOR KIT, CERAMIC OVERMOLDED, BAYONET
-----------------------	--	---	---	--