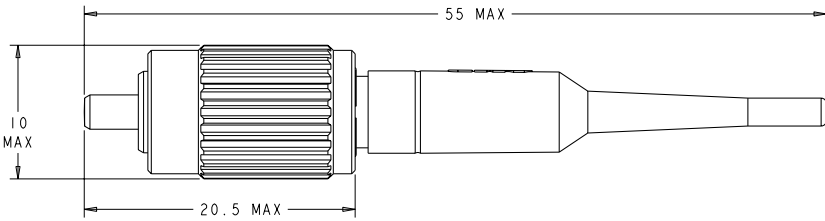


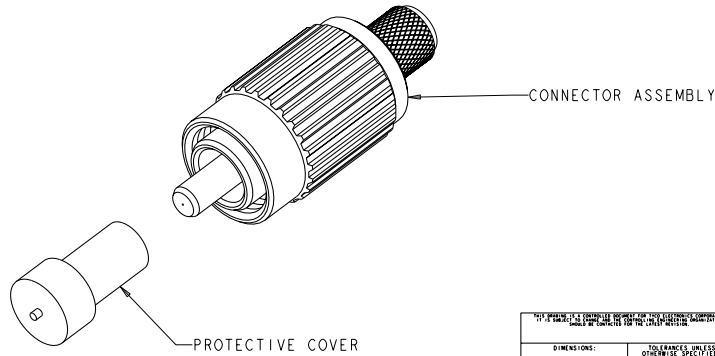
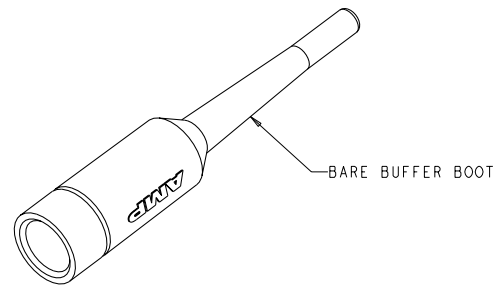
LOC	DIST	REVISIONS					
CE	00	P	LYR	DESCRIPTION	DATE	BY	APPR
		A		RELEASE TO ACTIVE	06JUN2006	BB	SM



ASSEMBLED CONNECTOR

- △ MATERIAL:
- PROTECTIVE COVER: LDPE, BLACK, NON-FR.
  - CONNECTOR SUB-ASSEMBLY:
  - COUPLING NUT: NICKEL PLATED BRASS.
  - PLUG BODY: PPS-GF40, COLOR: BEIGE.\*
  - FERRULE ASSEMBLY: CERAMIC/PBT-GF17, COLOR: BLUE.\*
  - EPOXY-FILL TUBING: PVC, COLOR: CLEAR, UL VW-1 RATED.
  - SPRING: STAINLESS STEEL.
  - RETAINER BODY: PES-GF20, COLOR: BEIGE.\*
  - BOOT: TPE, COLOR: SEE TABLE.\*
- \*UL94 V-0 RATED AT QUALIFYING THICKNESS.

- △ BULK PACKAGE.
- TO BE USED WITH 900um BUFFERED FIBER.



△ BLUE	5492052-5
△ YELLOW	5492052-4
△ YELLOW	5492052-1
BUFFER BOOT COLOR	PART NUMBER

DIMENSIONS:		TOLERANCES UNLESS OTHERWISE SPECIFIED:		DATE	BY	APPR	NAME	COMPANY	ADDRESS
mm (INCHES)		0 PLC	±	12DEC2005	B. BRIGGS			Tyco Electronics	Harrisburg, PA 17105-3608
		1 PLC	±	12DEC2005	S. MILLER			<b>Tyco Electronics</b>	
		2 PLC	±	12DEC2005	S. BLUCHTER				
		3 PLC	±						
		4 PLC	±						
		ANGLES	±						
MATERIAL		FINISH							
△ -									
CUSTOMER DRAWING				SHEET	00779	DRAWING NO	5492052	RESTRICTED TO	
				SCALE	5:1	SHEET	1	REV	A