

4

3

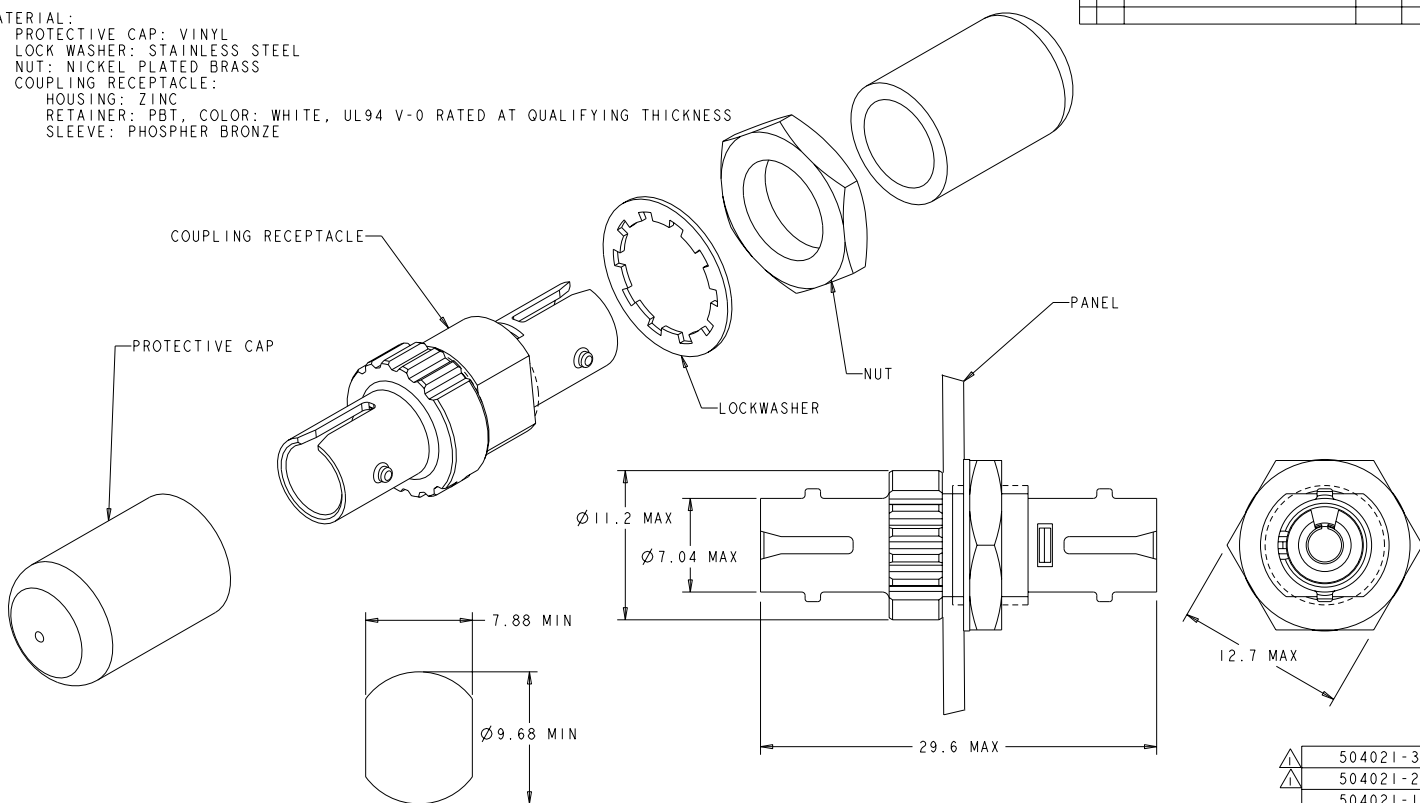
2

1

THIS DRAWING IS UNPUBLISHED. RELEASED FOR PUBLICATION  
 BY TYCO ELECTRONICS CORPORATION. ALL RIGHTS RESERVED.

REVOLUTIONS		DATE	BY	APPD
P	LYR			
K	REVISE PER DA00-0189-05	11MAY2005	BB	SB
L	REVISE PER ECR-05-009810	02SEPT2005	BB	SB

⚠ BULK PACKAGED.  
 ⚠ MATERIAL:  
 PROTECTIVE CAP: VINYL  
 LOCK WASHER: STAINLESS STEEL  
 NUT: NICKEL PLATED BRASS  
 COUPLING RECEPTACLE:  
 HOUSING: ZINC  
 RETAINER: PBT, COLOR: WHITE, UL94 V-0 RATED AT QUALIFYING THICKNESS  
 SLEEVE: PHOSPHER BRONZE



⚠ 504021-3
⚠ 504021-2
504021-1
PART NUMBER

SUGGESTED PANEL CUTOUT

<small>NOT A DIMENSION. IT IS A POSITIONAL DIMENSION OF THE COUPLING RECEPTACLE HOUSING. ONLY IF THE HOUSING IS USED IN THE ASSEMBLY.</small>		DWG: D. BRIGGS, 11MAY2005 CHK: S. BUCHTER, 11MAY2005 APPD: S. BUCHTER, 11MAY2005	Tyco Electronics Harrisburg, PA 17105-3600
DIMENSIONS: mm TOLERANCES UNLESS OTHERWISE SPECIFIED: 0 PLC ±.1 1 PLC ±.15 2 PLC ±.2 3 PLC ±.3 4 PLC ±.5 5-6 PLC ±.75 ANGLES: P/B MIN	NAME: S. BUCHTER, 11MAY2005 PRODUCT SPEC: APPLICATION SPEC: MATERIAL:	KIT, COUPLING RECEPTACLE, 2.5mm BAYONET, MM/SM SIZE: A200779 CASE CODE: C=504021 WEIGHT:	RESTRICTED TO:
CUSTOMER DRAWING		SCALE: 5:1	SHEET 1 OF 1 REV L